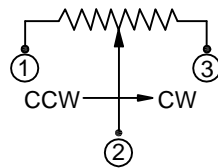
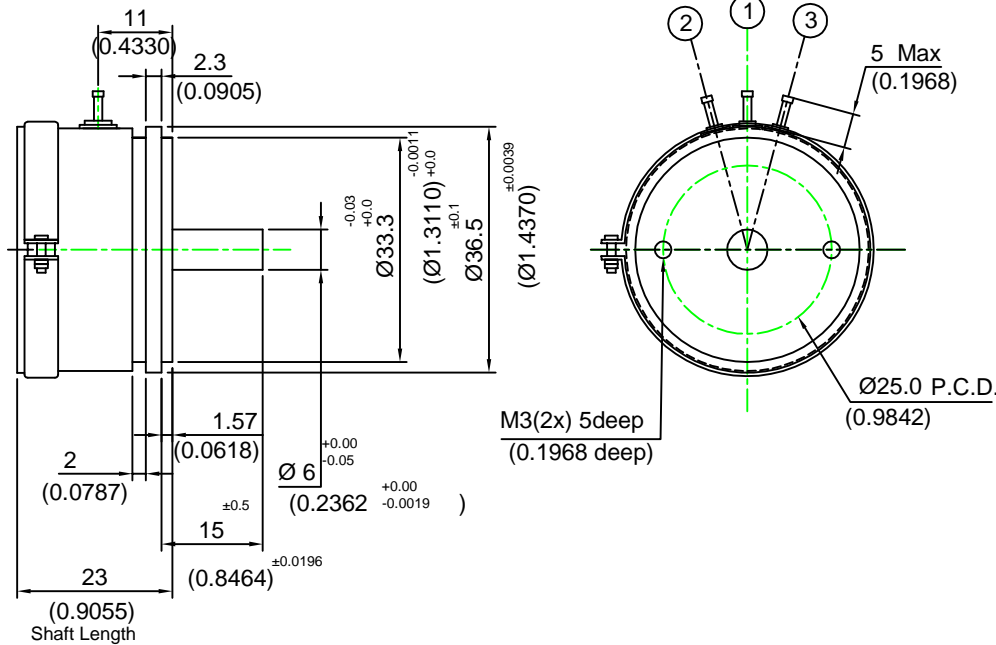


Dimensions :- Metric



Electrical Schematic Diagram

Features:-

1. Anodized Aluminium precision machined body.
2. Precious metal high technology wiper gives noise free output.

ELECTRICAL CHARACTERISTICS	UNITS	VALUE
Resistance Element.....	--	Wire Wound
Resistance value	Ohms	100, 500, 1k,2k,5k,10k.
Standard Resistance Tolerances.....	%	±10
Standard Independent Linearity Tolerances..(IEC 393)..	%	±0.5
Electrical angle...	Degrees	355° ± 3°
Equivalent Noise Resistances.....	Ohms	<100
Resolution.....	--	As per turns
Temperature Coefficient of Resistance (TCR)....	ppm/deg C	± 50 Up to 1k ohms ± 150 for other values.
Power Rating @ 70° C.....	Watts	2
Insulation Resistance @ 500 Vdc.....	M Ohms	1000
Dielectric Strength @ 50 Hz.....	V ac	500
Maximum Wiper current.....	mAmps	1
Short time wiper current 10 sec.	mAmps	10
End Resistance	Ohms	<50

MECHANICAL CHARACTERISTICS :-

Rotation (Mechanical Angle).continuous	Degrees	360°
Bearing Type.....	--	Ball Bearing
Torque... Starting.....	Nmm (Oz inch)	5 (0.708)
Torque... Running.....	Nmm (Oz inch)	4 (0.5664)
Axial Play	m.m.(inch)	0.1 (0.00393)
Radial Play	m.m.(inch)	0.1 (0.00393)

ENVIRONMENTAL CHARACTERISTICS :-

Operating Temperature.....	Degrees C	-40 to +105
----------------------------	-----------	-------------

PERFORMANCE :-

Rotational Life (shaft Revolutions).....	Nos.	1,000,000
--	------	-----------

MATERIALS OF CONSTRUCTION:-

Housing.....	--	Aluminum Anodized
Shaft.....	--	Stainless Steel
Terminals.....	--	Brass gold plated stud type terminal

Soldering Recommendation :- Use soldering Iron at 350° C for 3 second maximum.

Clean the soldered pads with Isopropyl alcohol after soldering.
Continuous improvements are being made for enhancing performance for customer benefit in product design & process.The product supplied may be slightly different than described by above specifications

Uni-Automation (I) Pvt Ltd

Tel/Fax:+91-20-24440890
www.uniautomation.com

**SERVO POTENTIOMETER
WIRE WOUND**

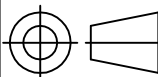
40WW-501

FIRST ISSUE : 07/05/2015

Scale:- 1:1

Tolerances
DIN/ISO 2768-1 (1991-06)
(TOLERANCE CLASS-MEDIUM)

**UAPL PART NO
129501**



CUSTOMER DRAWING REF NO
NA

CUSTOMER : UAPL STANDARD

REV - 00

SHEET 1of1