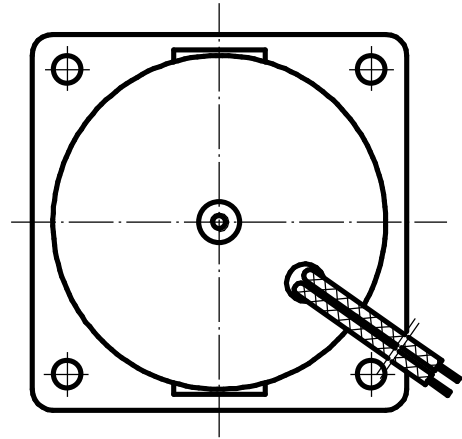


A 视向

SPECIFICATION:

VOLTAGE: 12.0VDC
 NO LOAD SPEED: 4000r/min $\pm 10\%$
 OUTPUT POWER: 140W
 RATED SPEED: 3700r/min $\pm 10\%$
 RATED TORQUE: 0.35N.m
 RATED CURRENT: $\leq 15A$



REV.		QTY.	No.	SIG.	DATE	DONGZHENG MOTOR	
DESIGN	lgi	STD.				80ZY140-1240C12100	MOTOR OUTLINE
CHECK		APPR.			CLS. MK	QTY	SCALE
PROC.					S	1:1.2	REV
				PAGE	OF		