



DESCRIPTION / APPLICATION

Industrial plugs and sockets are used for various applications in the industrial sector from connecting generators and welding machines as well as for mobile or permanent applications.

MAIN TECHNICAL DATA

Electrical Features	Standard		IEC60309-1, IEC60309-2
	Rated current	A	16, 32, 63,125
	Poles		2P+E, 3P+E, 3P+N+E
	AC Volts	V	220-250V, 380-415V, 220-380V/240-415V
	Rated frequency	Hz	50/60
Mechanical Features	Degree of protection		IP44 or IP67
Installation	Ambient temperature	°C	-25 °C / +40 °C
	Terminal connection type		Screw terminals
	Mounting		Wall mounting

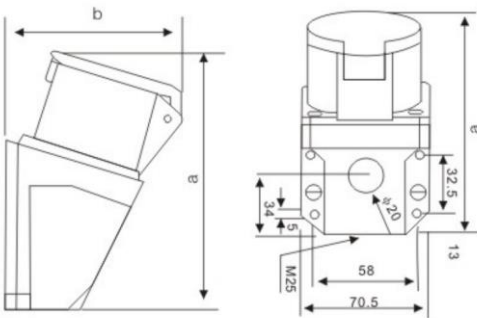
PART NUMBER EXAMPLE

BASE NUMBER	PRODUCT TYPE	CURRENT	POLES	PROTECTION
IPS-CE	1	1	3	2
EXAMPLE	IPS-CE-113			
	IPS-CE-1132			

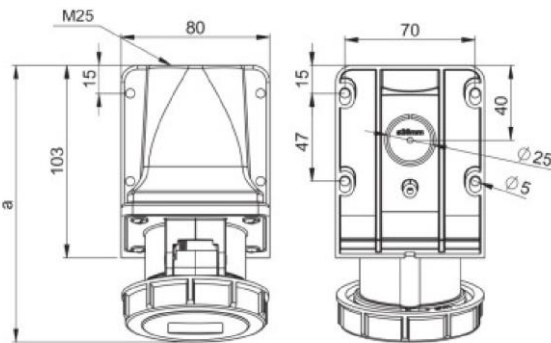
(Blank) = IP44

2 = IP67

DIMENSIONS

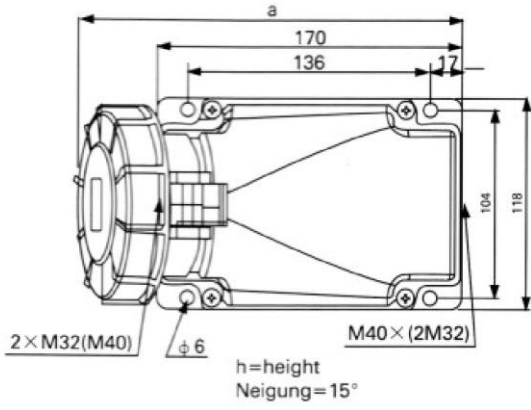


Part Number	113	114	115	123	124	125
Ampere	16 A		32 A			
Poles	3	4	5	3	4	5
a	126	128	129	141	141	143
b	86	90	96	97	97	104
M	25	25	25	25	25	25
Connection type	Screw terminal					
Wire flexible [mm ²]	1-2.5		2.5-6			



Part Number	1132	1142	1152	1232	1242	1252
Ampere	16 A		32 A			
Poles	3	4	5	3	4	5
a	147	149	150	161	161	162
b	96	96	102	108	108	110
m	25	25	25	25	25	25
Connection type	Screw terminal					
Wire flexible [mm ²]	1-2.5		2.5-6			

b=height
angle=15°



Part Number	1332	1342	1352	1432	1442	1452
Ampere		63 A			125 A	
Poles	3	4	5	3	4	5
a	213	213	213	285	285	285
h	173	173	173	185	185	185
Connection type	Frame contact					
Wire flexible [mm ²]		6-16			16-50	