

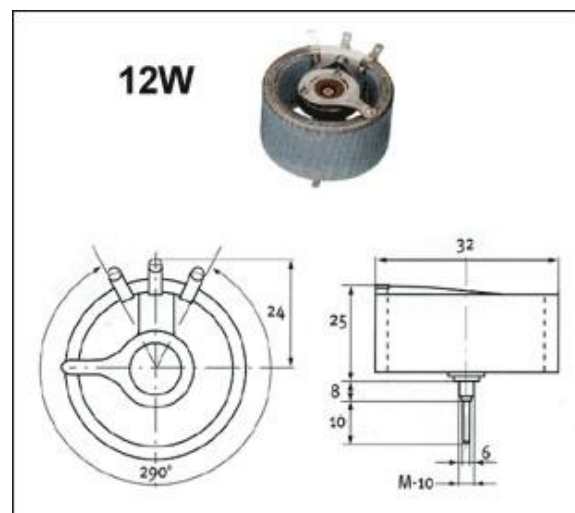
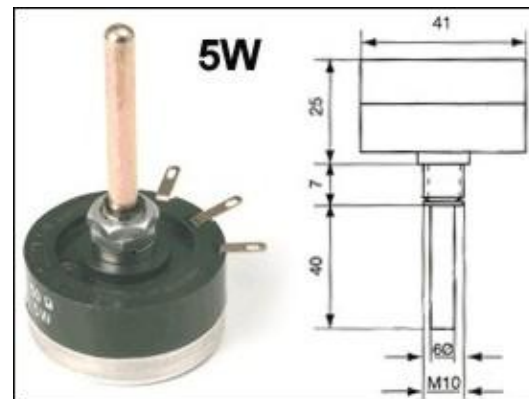
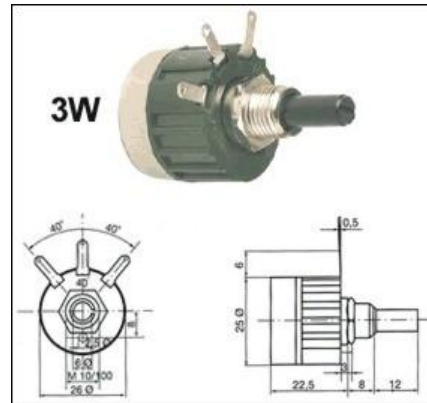


**MANTECH  
ELECTRONICS**

**PB and PC SERIES**

**WIRE WOUND POTENTIOMETERS**

CHARACTERISTICS	
POWER RATING	3W, 5W, 12W
RESISTANCE	10Ω - 22KΩ
RESISTANCE CURVE	Linear
BREAKDOWN VOLTAGE	1000V
ROTATION ANGLE	+/- 250 °



APPLICATIONS	
<ul style="list-style-type: none"> <li>• Power supplies</li> <li>• Speaker networks</li> </ul>	

NOTES	
1.	Knobs and fittings available.
2.	Other variations & powers available.
3.	Dual gang potentiometers also available

*These specifications are subject to change without notice.*

[sales@mantech.co.za](mailto:sales@mantech.co.za)

[www.mantech.co.za](http://www.mantech.co.za)

**A MOBICON COMPANY**