

NYLON CABLE GLANDS



APPLICATION / DESCRIPTION

Material: Made from UL Nylon 66, 94V-2 and seal ring from rubber.

Feature:

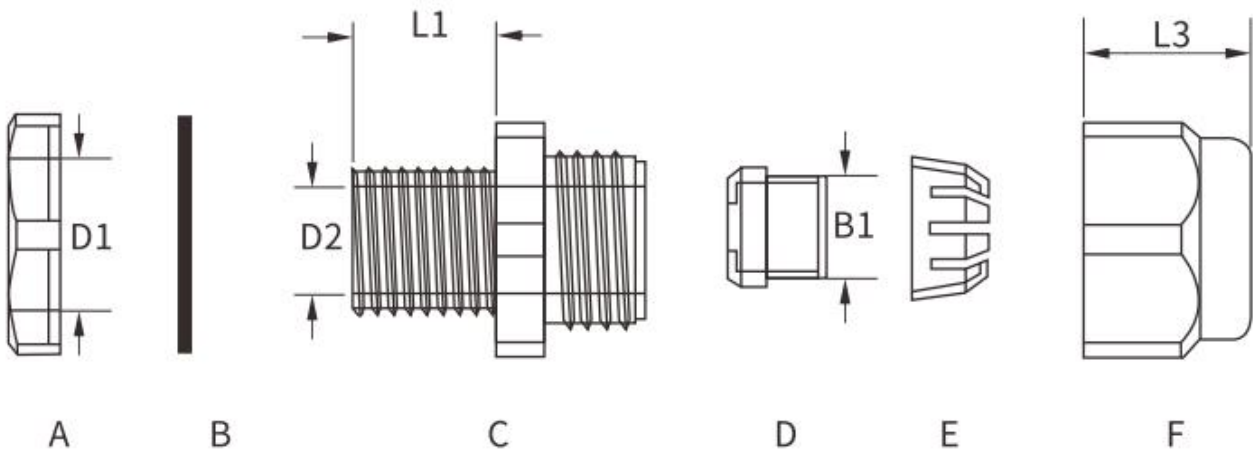
1. The seal ring is specially designed, with strong tension and no damage to the motor.
2. It is not necessary to disassemble the fixed head, and the cable can be directly threaded and tightened, which is time-saving and convenient.

Application: Generally used in mechanical control box, distribution panel, machinery, electrical, etc.

DIMENSIONS AND MOUNTING

Item NO.	D1	D2	B1	Cable range
M12	10.9	8.1	6.4	3.5-6
M16	15.3	12.2	8.6	4-8
M18	17.9	14.6	10.7	5-10
M20	20.2	16.2	13.3	6-12
M22	21.3	18.3	14.3	10-14
M24	24.7	20.5	15.5	12-15

M27	26.9	21.8	16.7	13-18
M32	29.8	25.0	19.2	15-22
M36	35.1	29.8	24.8	18-25
M40	44.7	37.1	30.7	22-32
M50	50.4	43.3	35.6	30-38
M63	56.1	48.2	41.4	34-44



A B C D E F
 Loch nut Washer Boby Seal Claw Sealing nut