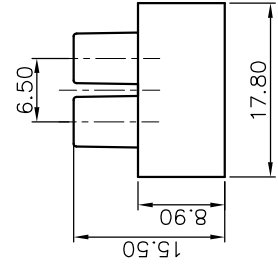
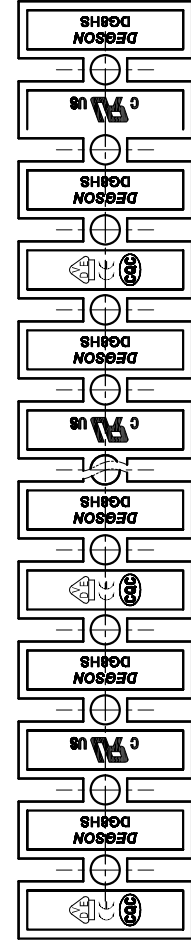
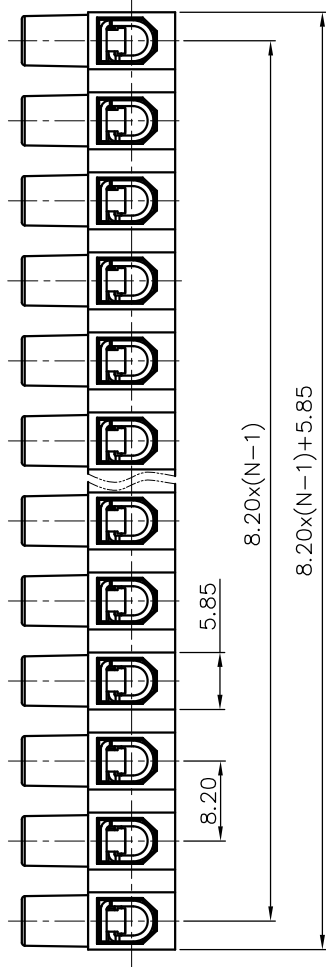
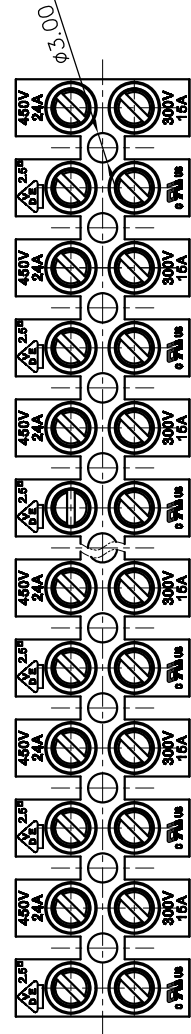


REVISION RECORD			
REV	ECN	DESCRIPTION	DRFT DATE



NOTES1:

- UL Standard
- 1.Rated Voltage/Current : 300V / 15A
- 2.Torque Value : M2.5 , 3.54Lb.in
- 3.Wire Range : 20~14AWG

IEC Standard

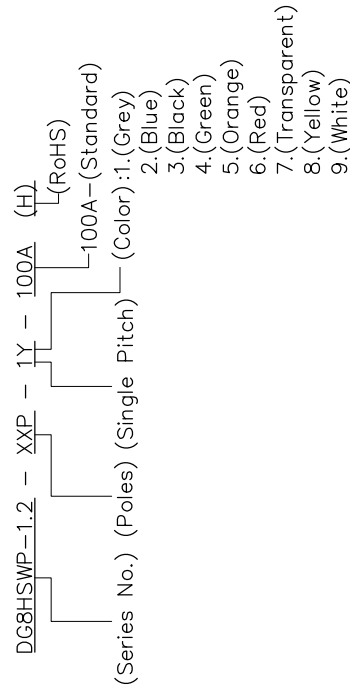
- 1.Rated Voltage/Current : 450V / 24A
- 2.Torque Value : M2.5 , 0.4N·m
- 3.Wire Range : 0.5~2.5mm<sup>2</sup>

NOTES2:

- 1.Dimension shall be interpreted per ASME Y14.5-2009
- 2.Pitch : 8.20mm, Poles : N=02~12P
- 3.Stripping length : 8mm
- 4.Withstanding Voltage : AC2500V/1min.
- 5.Operating temperature: -40°C~+105°C
- 6.Undimensioned Tolerances:

Pitch range in mm	Nominal dimension range		Over	Over	Over
	mm	mm			
TO	6	10	TO	30	TO
TO	10	24	TO	60	TO
TO	10	24	TO	100	TO
TO	10	24	TO	150	TO
±0.15	±0.20	±0.30	±0.50	±0.70	±1.00
±1.00	±1.30	±1.50	±2.00	±2.50	±3.00

7.RoHS Compliance



PART NO.:	/	NINGBO DEGSON ELECTRICAL CO., LTD
APPD:	/	NAME: DG8HSWP-1.2-XXP-1Y-100A(H)
CHKD:	/	TITLE: CUSTOMER DRAWING
DRFT:	/	DRAWING NO. /
THIRD ANGLE PROJECTION	3	DO NOT SCALE DRAWING
DETTACHED LISTS		SCALE 1:1