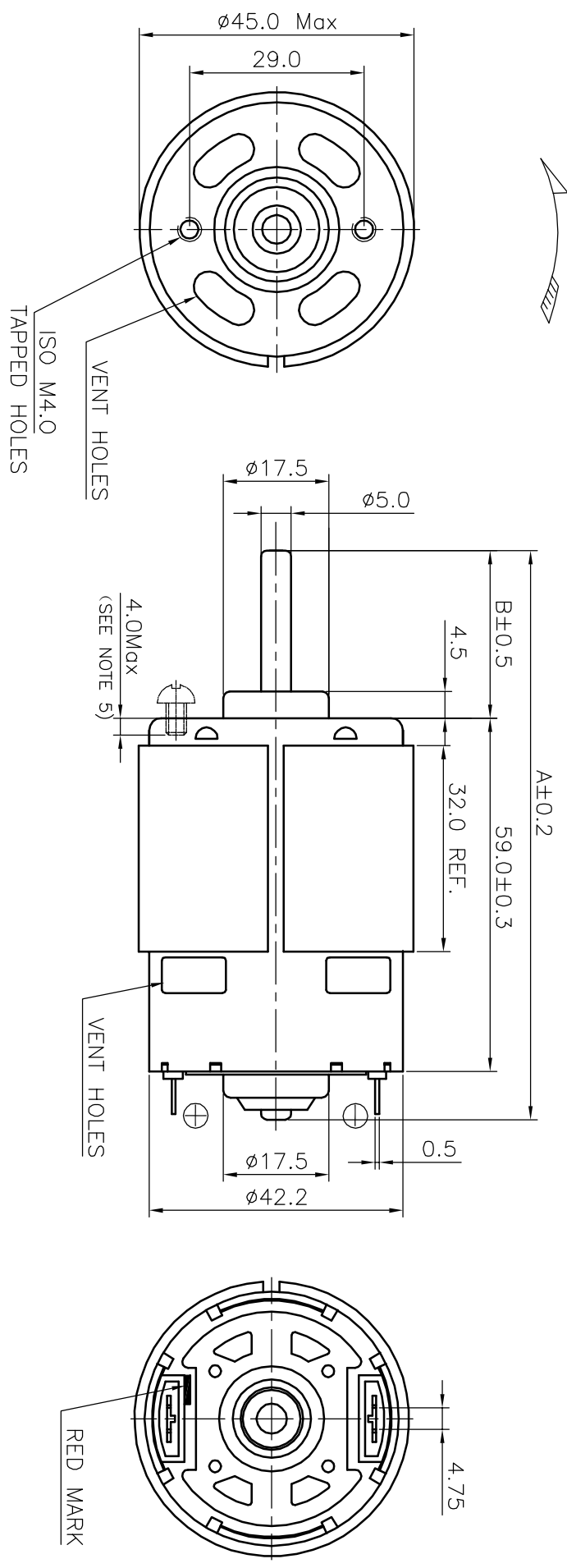


DIRECTION OF ROTATION



NOTES

备注:

1. LENGTH OF SHAFT, DIM,"A"  $\underline{\hspace{1cm}}$  90.0  $\underline{\hspace{1cm}}$  mm.  
轴枝长度A:  $\underline{\hspace{1cm}}$  90.0  $\underline{\hspace{1cm}}$  mm.
2. FRONT EXTENSION, DIM,"B"  $\underline{\hspace{1cm}}$  23.0  $\underline{\hspace{1cm}}$  mm, MEASURED WITH SHAFT PUSHED TO THE PLASTIC END CAP.  
前突尺寸B:  $\underline{\hspace{1cm}}$  23.0  $\underline{\hspace{1cm}}$  mm. 测量时将轴枝推向后盖端
3. END PLAY  $\underline{\hspace{1cm}}$  0.5  $\underline{\hspace{1cm}}$  mm Max.  
虚位:  $\underline{\hspace{1cm}}$  0.5  $\underline{\hspace{1cm}}$  mm 最大.
4. DIRECTION OF ROTATION: ANTI-CLOCKWISE WHEN VIEWING MOTOR OUTPUT END WITH POSITIVE VOLTAGE APPLIED  
旋转方向从轴出端看: 逆时针旋转
5. TAPPED HOLES CAN ACCEPT MAX. MALE USABLE SCREW LENGTH OF 4.0 mm.  
螺丝从铁壳表面拧入深度4.0mm 最大

ALL DIMENSIONS ARE IN MILLIMETRES DO NOT SCALE DRAWING  
图纸的尺寸单位为毫米

MATERIAL		MOTOR MODEL			
SAMPLE NO.		DRS-750PM-8522-F/90			
TITLE	DWN. BY	MCM	DATE		
	CHK. BY				
MOTOR OUTLINE	APP. BY				
	SCALE		REVISION	A	
DYD MOTOR					