

1.8° Size 110mm High Torque Hybrid Stepping Motor

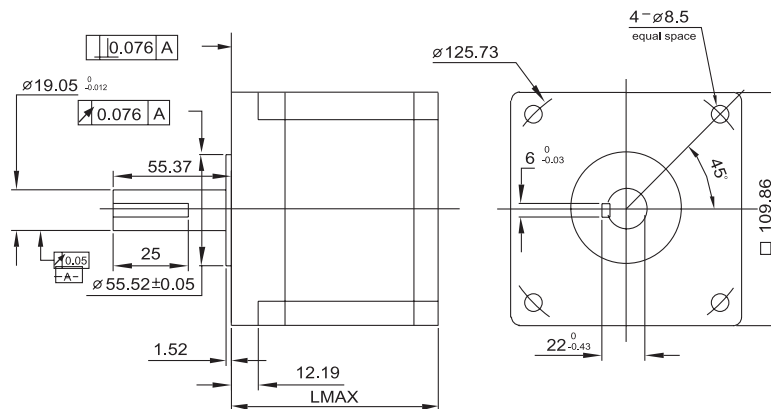
● General Specification for High Torque Hybrid Stepping Motor

Item	Specifications
Step Angle	1.8°
Step Angle Accuracy	± 5% (full step, no load)
Resistance Accuracy	± 10%
Inductance Accuracy	± 20%
Temperature Rise	80°C Max.(rated current,2 phase on)
Ambient Temperature	-20°C ~+50°C
Insulation Resistance	100M Ω Min. ,500VDC
Dielectric Strength	500VAC for one minute
Shaft Radial Play	0.02Max. (450 g-load)
Shaft Axial Play	0.08Max. (450 g-load)
Max. radial force	220N (20mm from the flange)
Max. axial force	60N
Rotation	CW(See from Front Flange)

● Size 110mm High Torque Hybrid Stepping Motor Specifications

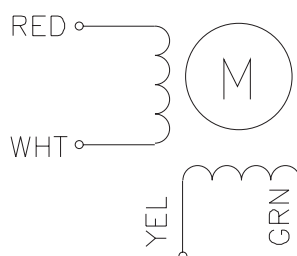
ModelNo.	Current /Phase	Resistance /Phase	Inductance /Phase	Holding Torque	# of Leads	Rotor Inertia	Weight	Detent Torque	Length
Single shaft	A	Ω	mH	N.m		g-cm ²	kg	kg-cm	mm
FL110STH99-5504A	5.5	0.9	12	112	4	5500	5	3	99
FL110STH150-6504A	6.5	0.8	15	21	4	10900	8.4	5.9	150
FL110STH201-8004A	8	0.67	12	28	4	16200	11.7	7.5	201

● Dimension



● Wiring Diagram

4 LEADS





1.8° Size 110mm High Torque Hybrid Stepping Motor

● Pull out Torque Curve

