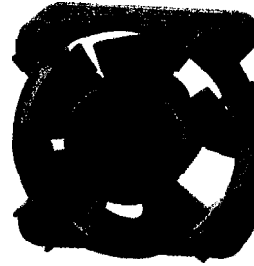


40x40x20 mm

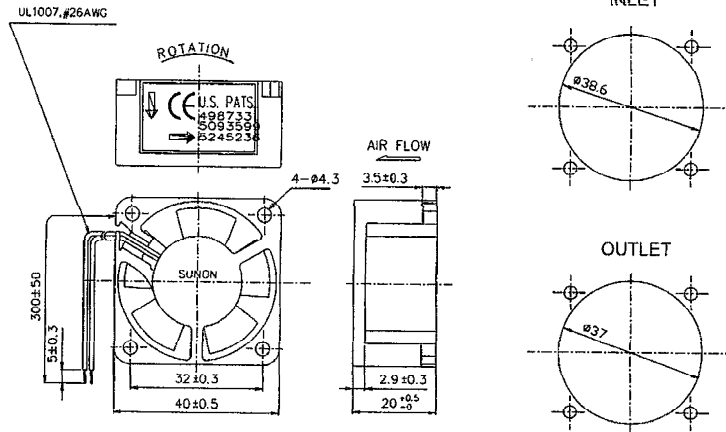
6.3~10.8 CFM



KDE Series (Magnetic Levitation System Motor)

Model	P/N	Bearing	Rating Voltage (VDC)	Power Current (AMP)	Power Consumption (WATTS)	Speed (RPM)	Air Flow (CFM)	Static Pressure (Inch-HzO)	Noise (dBA)	Weight (g)
KDE1204PKVX	MS	● VAPQ ○ BALL ◎ 2BALL	12	0.13	1.6	8200	10.8	0.27	27.5	30
KDE1204PKV1	MS	●	12	0.10	1.2	7200	8.9	0.21	25.5	30
KDE1204PKV2	MS	●	12	0.07	0.8	6200	7.7	0.16	21	30
KDE1204PKV3	MS	●	12	0.05	0.6	5200	6.3	0.11	18	30
KDE1204PKBX	MS	○	12	0.13	1.6	8200	10.8	0.27	29	30
KDE1204PKB1	MS	○	12	0.10	1.2	7200	8.9	0.21	26	30
KDE1204PKB2	MS	○	12	0.07	0.8	6200	7.7	0.16	21.5	30
KDE1204PKB3	MS	○	12	0.05	0.6	5200	6.3	0.11	18.5	30

*Remarks : GM series are available with lower power consumption, higher torque and higher T^o range (≥70°C).



*Specifications subject to change without notice.