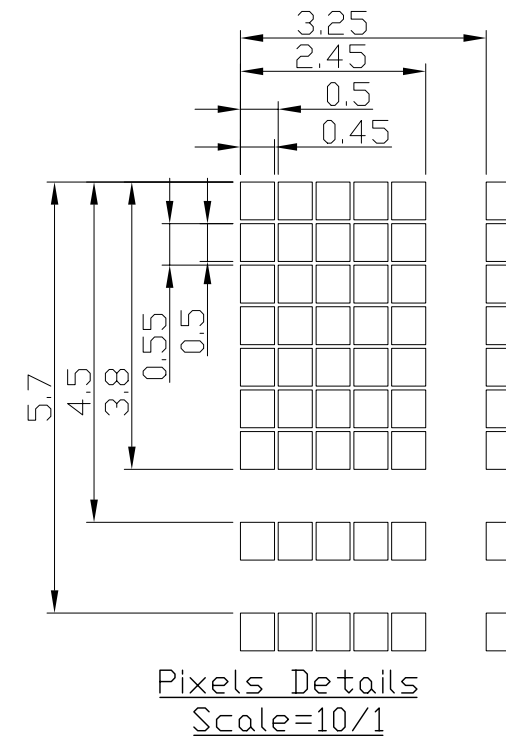
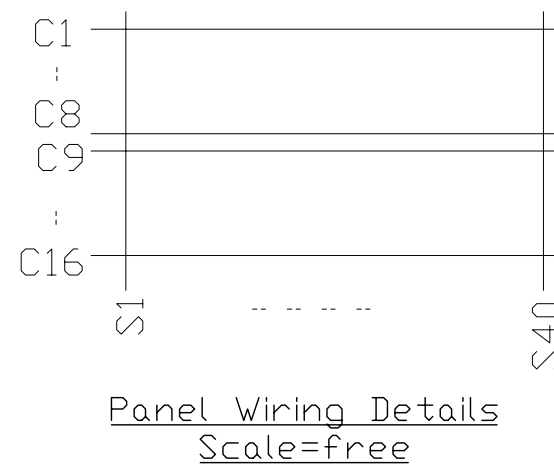
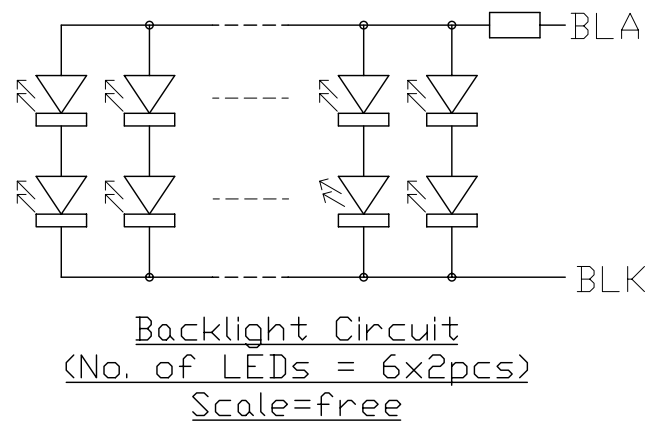


Terminal	
No.	Pin Name
1	VSS
2	VDD
3	V0
4	RS
5	R/W
6	E
7	DB0
8	DB1
9	DB2
10	DB3
11	DB4
12	DB5
13	DB6
14	DB7
15	BLA
16	BLK



- Note:
- *1. Display Type : STN-YG, Positive, Transflective
 - *2. Viewing Direction : 6H
 - *3. Duty : 1/16, Bias : 1/5
 - *4. Backlight Color : Yellow-Green
 - *5. Operating Voltage : 5.0V
 - *6. Operating Temperature : 0°C~50°C
 - *7. Storage Temperature : -20°C~70°C
 - *8. An external VR(5K) must be connected for Contrast Control

C		
B		
A		
Rev	Note	Date
Dwg	Title	
Dwg No.	MK-001115-1-1	Date 2005-11-21
Scale	Tol.	Unit
5/2	±0.5	mm
Approved	Checked	Paper Size A3
		Drawn Li Shuai

TOPWAY