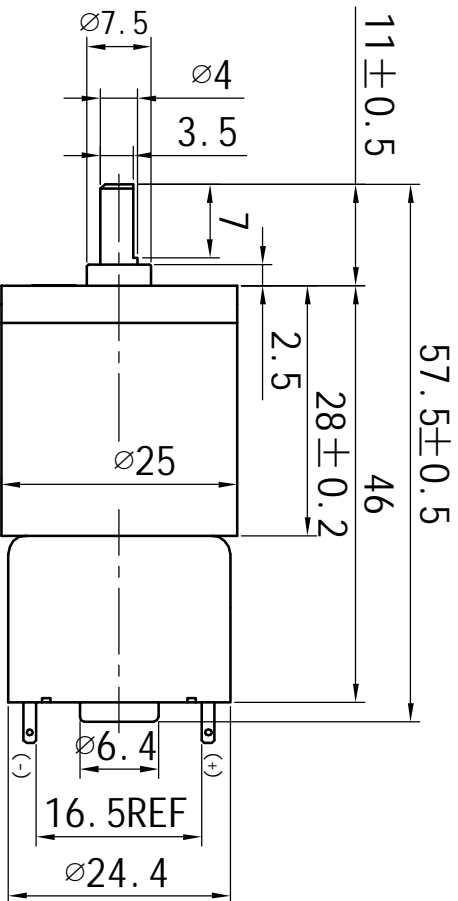
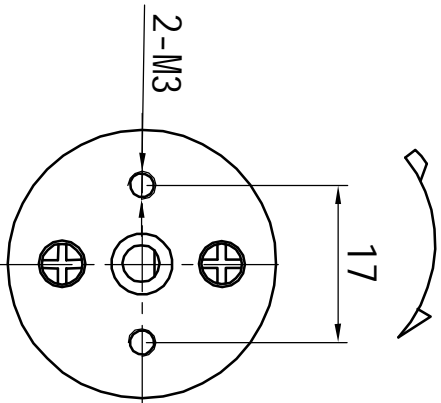




# MG-25GA310-355

MAX MOTOR MOTION CO., LIMITED  
 TEL: +86-755-84679112 FAX: +86-755-89361286  
 Http://WWW.MAX-MOTOR.COM EMAIL: MAX@MAX-MOTOR.COM

### DIRECTION OF ROTATION



### TEST CONDITION:

1. RATED VOLTAGE: 6.0VDC
2. OPERATING TEMPERATURE RANGE: -10C~60C
3. OPERATION 45S INSPECTION

### AT NO LOAD:

1. CURRENT: 0.05A Max
2. SPEED: 11 ± 10%/rpm

### AT RATED LOAD:

1. CURRENT: 0.11A Max
2. OUTPUT: 0.20W
3. SPEED: 7.5 ± 10%/rpm
4. TORQUE: 1800g.cm

### AT STALL:

1. CURRENT: 0.35A Max
2. TORQUE: 5.1Kg.cm Min

GEAR RATIO: 1:355

CONFIRMED & ACCEPTED BY  
 CUSTOMER

DATE:

### NOTES:

1. END PLAY 0.05-0.5 mm.
2. DIRECTION OF ROTATION: CLOCKWISE WHEN VIEWING MOTOR OUTPUT END WITH POSITIVE VOLTAGE APPLIED TO POSITIVE TERMINAL.

NO: MAX-120530-Z4703-25GA310-355

DRAW BY

CHECKED BY

APPROVED BY

DATE

05/30/2012

1