

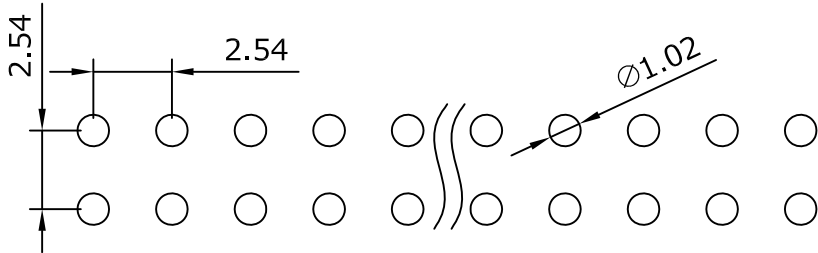
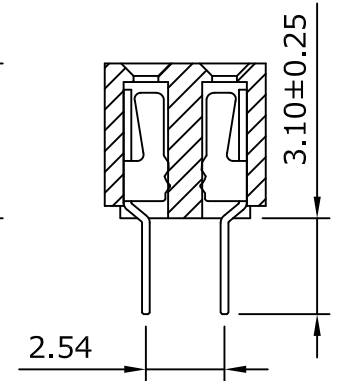
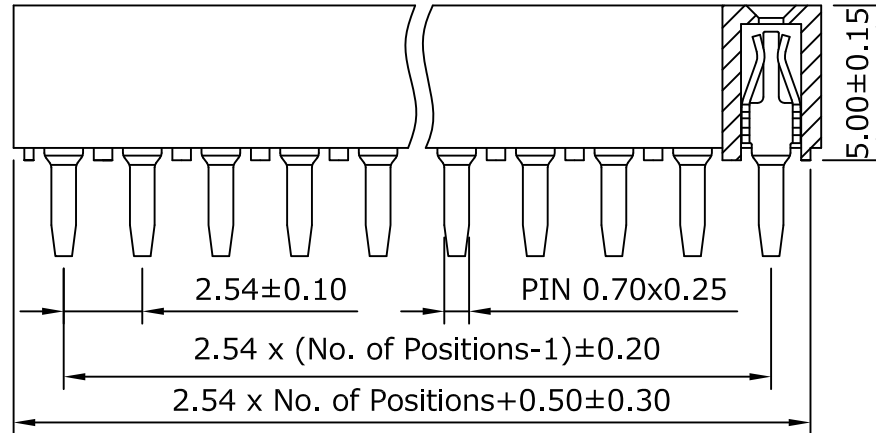
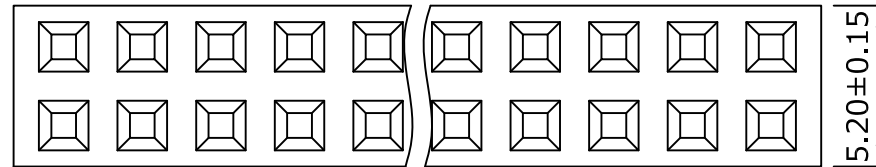
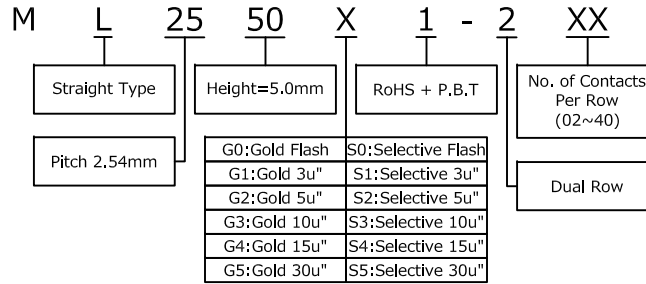
Specifications

Current Rating: 3A AC,DC
 Contact Resistance: 20mΩ Max
 Insulation Resistance: 1000MΩ Min
 Withstanding Voltage: 1000V AC/minute
 Temperature Range: -40°C ~ +105°C

Material

Insulator: P.B.T, UL94V-0
 Contact: Copper Alloy

ORDER INFORMATION



Recommended PCB Layout
 (PCB TOLERANCE ±0.05)

			<p>Morecrafts Tel:+886-2-2966-1326 Fax:+886-2-2966-1352</p>	品號	ML2550X1-2XX	日期	2005/12/30			
				圖號	ML2550X1-2XX	繪圖	Sayid			
				客戶品號		核對	Max			
REV.	DESCRIPTION	DATA	TITLE: Female Header 2.54mm Plastic Height 5.0mm	REV. A	公差 TOLERANCE	.X ±0.25 .XX ±0.20	比例 SCALE	FREE	單位 UNIT	mm