

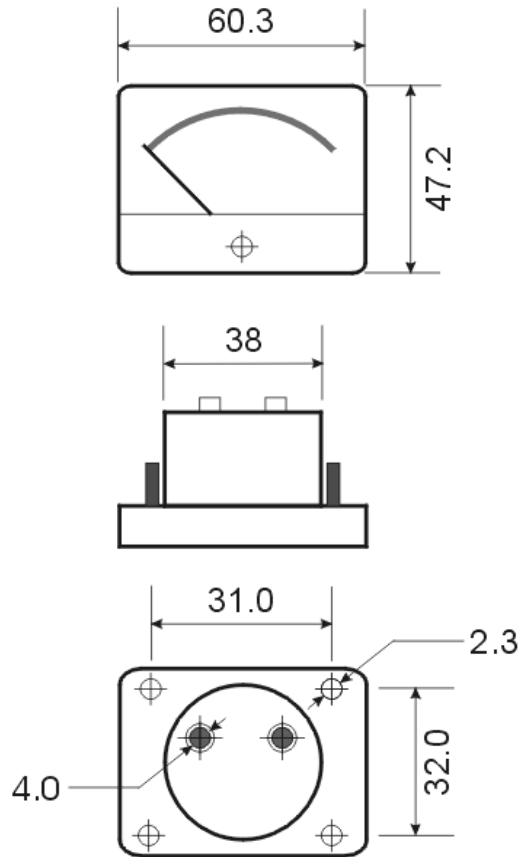


PANEL METERS

| AVAILABLE RATINGS | | | | |
|-------------------|------------|-----------|------------|------------|
| AC | DC | | | |
| Volts | Volts | Amps | mA | μA |
| 150V | 5 | 1 | 1 | 50 |
| | 10 | 2 | 10 | 100 |
| | 15 | 3 | 50 | 200 |
| | 30 | 5 | 100 | 300 |
| 300V | 50 | 10 | 200 | 500 |
| | 100 | 15 | 300 | - |
| | - | 20 | 500 | - |

| APPLICATIONS |
|---|
| <ul style="list-style-type: none"> • Power supplies • Instruments • Control panels |

| NOTES |
|--|
| 1. Instruments are sensitive to vibration and strong magnetic fields. HANDLE WITH CARE ! |
| 2. Nuts are provided for panel mounting. |



These specifications are subject to change without notice.

| | |
|---|----------------------------|
| PO BOX 260455 - EXCOM - 2023 - SOUTH AFRICA | |
| | email |
| Jhb | sales@mantech.co.za |
| Cape | cape@mantech.co.za |
| Kzn | kzn@mantech.co.za |
| www.mantech.co.za | |

MANTECH ELECTRONICS, A MOBICON COMPANY