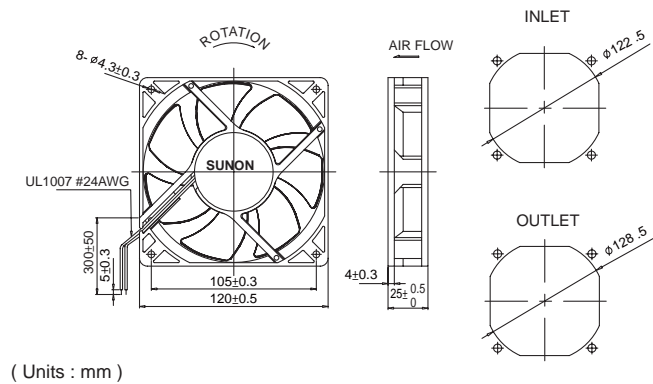
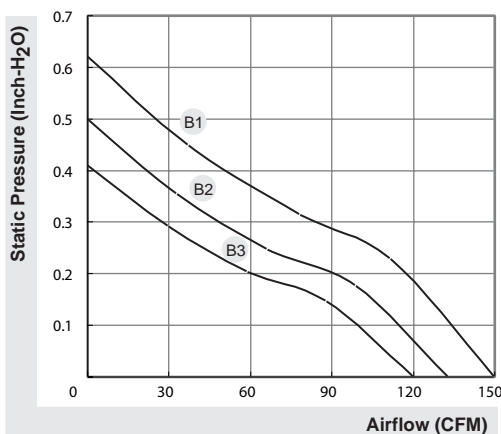


## Power Motor Fan

### 120~150 CFM



Model	P/N	Bearing ● VAPO ⊙ 2BALL	Rating Voltage (VDC)	Power Current (AMP)	Power Consumption (WATTS)	Speed (RPM)	Air Flow (CFM)	Static Pressure (Inch-H <sub>2</sub> O)	Noise (dBA)	Weight (g)
PMD1212PTB1-A	(2).GN	⊙	12	1.0	12.0	4500	150	0.62	54	220
PMD1212PTB2-A	(2).GN	⊙	12	0.72	8.6	4000	133	0.50	51	220
PMD1212PTB3-A	(2).GN	⊙	12	0.54	6.5	3600	120	0.41	48	220
PMD2412PTB1-A	(2).GN	⊙	24	0.49	11.8	4500	150	0.62	54	220
PMD2412PTB2-A	(2).GN	⊙	24	0.36	8.6	4000	133	0.50	51	220
PMD2412PTB3-A	(2).GN	⊙	24	0.28	6.7	3600	120	0.41	48	220
PMD4812PTB1-A	(2).GN	⊙	48	0.26	12.5	4500	150	0.62	54	220
PMD4812PTB2-A	(2).GN	⊙	48	0.19	9.1	4000	133	0.50	51	220
PMD4812PTB3-A	(2).GN	⊙	48	0.14	6.7	3600	120	0.41	48	220



\*All model could be customized on voltage or any other requirements to fit your need.

\*Specifications subject to change without notice. Please Visit SUNON web site at <http://www.sunon.com> for update information.