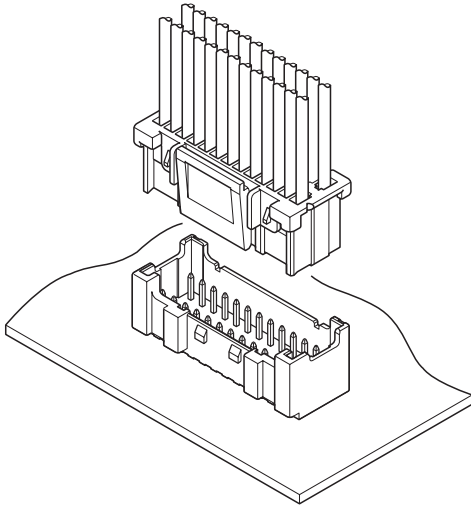


# PND CONNECTOR

2.0mm pitch/Disconnectable Crimp style connectors



**The PND connector is the high-density dipping type connector with secure lock for wire to board connection and enabled to achieve excellent workability and withstand the unexpected external force.**

- Superior operability (Low insertion force)
- Withstanding external force and secure locking device
- Countermeasure for inverse insertion and mismatching insertion
- High density
- Polarizing boss

## Specifications

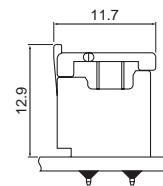
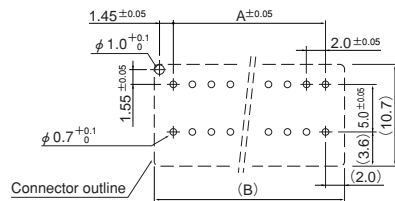
- Current rating: 3A AC, DC (AWG #22)
- Voltage rating: 250V AC, DC
- Temperature range: -25°C to +85°C  
(including temperature rise in applying electrical current)
- Contact resistance: Initial value/10m Ω max.  
After environmental testing/20m Ω max.
- Insulation resistance: 1,000M Ω min.
- Withstanding voltage: 800V AC/minute
- Applicable wire: AWG #28 to #22
- \* RoHS compliant products are published.
- \* Refer to "General Instruction and Notice when using Terminals and Connectors" at the end of this catalog.
- \* Contact JST for details.

## Standards

Recognized E60389

Certified LR20812

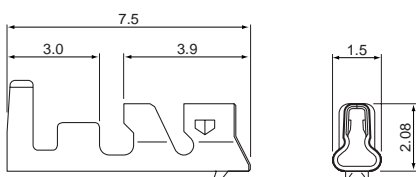
## PC board layout (viewed from component side) and Assembly layout



Note: 1. Tolerances are non-cumulative: ±0.05mm for all centers.

2. Hole dimensions differ according to the kind of PC board and piercing method. The dimensions above should serve as a guideline. Contact JST for details.

## Contact



Model No.	Applicable wire		Insulation O.D. (mm)	Q'ty / reel
	mm <sup>2</sup>	AWG #		
SPND-001T-C0.5	0.13~0.33	26~22	1.0~1.5	8,000
SPND-002T-C0.5	0.08~0.22	28~24	0.8~1.5	

### Material and Finish

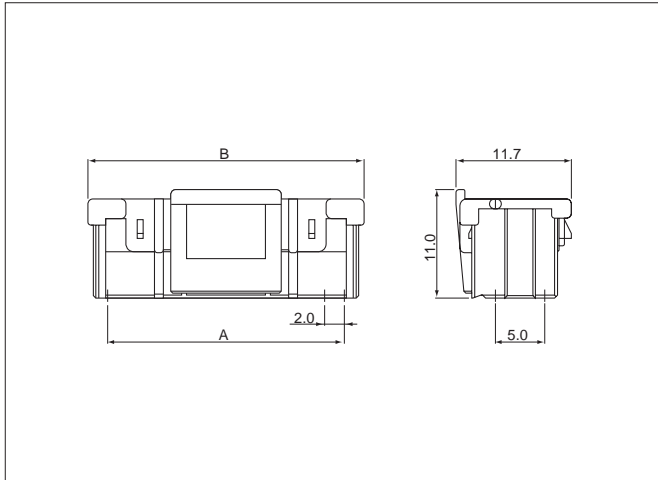
Copper alloy, tin-plated (reflow treatment)

### RoHS compliance

Contact	Crimping machine	Applicator		
		Crimp applicator	Dies	Crimp applicator with dies
SPND-001T-C0.5	AP-K2N	MKS-LS · MKS-L	MK/SPND-001-05	APLMK SPND001-05
		—	—	—
SPND-002T-C0.5	—	MKS-LS · MKS-L	MK/SPAD/ND-002-05	APLMK SPAD/ND002-05
		—	—	—

# PND CONNECTOR

## Housing



Circuits	Model No.	Dimensions (mm)		Qty / bag
		A	B	
8	<b>PNDP-08V-Z</b>	6.0	10.0	500
10	<b>PNDP-10V-Z</b>	8.0	12.0	500
12	<b>PNDP-12V-Z</b>	10.0	14.0	500
14	<b>PNDP-14V-Z</b>	12.0	16.0	500
16	<b>PNDP-16V-Z</b>	14.0	18.0	300
18	<b>PNDP-18V-Z</b>	16.0	20.0	300
20	<b>PNDP-20V-Z</b>	18.0	22.0	300
22	<b>PNDP-22V-Z</b>	20.0	24.0	300
24	<b>PNDP-24V-Z</b>	22.0	26.0	250
26	<b>PNDP-26V-Z</b>	24.0	28.0	250
28	<b>PNDP-28V-Z</b>	26.0	30.0	250
30	<b>PNDP-30V-Z</b>	28.0	32.0	150
32	<b>PNDP-32V-Z</b>	30.0	34.0	150
34	<b>PNDP-34V-Z</b>	32.0	36.0	150
36	<b>PNDP-36V-Z</b>	34.0	38.0	100
38	<b>PNDP-38V-Z</b>	36.0	40.0	100
40	<b>PNDP-40V-Z</b>	38.0	42.0	100

### Material

PA 66, UL94V-0, ivory

### RoHS compliance

<For reference> As the color identification, the following alphabet shall be put in the underlined part.  
For availability, delivery and minimum order quantity, contact JST.

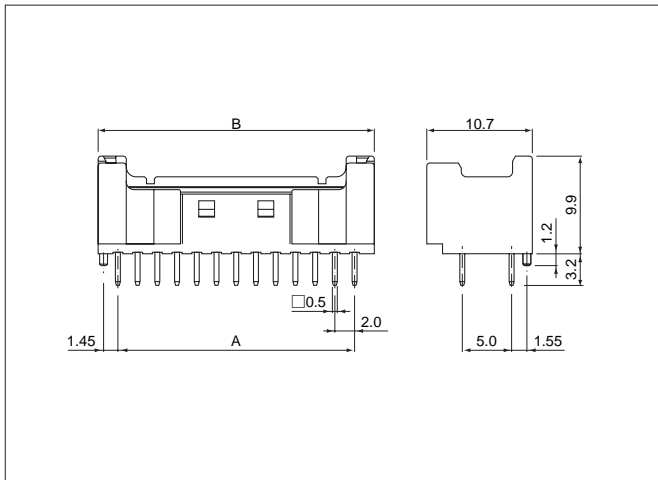
ex. **PNDP-28V-Z**

Z...ivory

K...black R...red E...blue M...green N...brown PK...pink

D...orange

## Shrouded header



Circuits	Model No.		Dimensions (mm)		Qty / box
	With boss	Without boss	A	B	
8	<b>B08B-PNDZS-1</b>	<b>B08B-PNDZS</b>	6.0	10.0	736
10	<b>B10B-PNDZS-1</b>	<b>B10B-PNDZS</b>	8.0	12.0	608
12	<b>B12B-PNDZS-1</b>	<b>B12B-PNDZS</b>	10.0	14.0	512
14	<b>B14B-PNDZS-1</b>	<b>B14B-PNDZS</b>	12.0	16.0	448
16	<b>B16B-PNDZS-1</b>	<b>B16B-PNDZS</b>	14.0	18.0	416
18	<b>B18B-PNDZS-1</b>	<b>B18B-PNDZS</b>	16.0	20.0	352
20	<b>B20B-PNDZS-1</b>	<b>B20B-PNDZS</b>	18.0	22.0	320
22	<b>B22B-PNDZS-1</b>	<b>B22B-PNDZS</b>	20.0	24.0	288
24	<b>B24B-PNDZS-1</b>	<b>B24B-PNDZS</b>	22.0	26.0	288
26	<b>B26B-PNDZS-1</b>	<b>B26B-PNDZS</b>	24.0	28.0	256
28	<b>B28B-PNDZS-1</b>	<b>B28B-PNDZS</b>	26.0	30.0	224
30	<b>B30B-PNDZS-1</b>	<b>B30B-PNDZS</b>	28.0	32.0	224
32	<b>B32B-PNDZS-1</b>	<b>B32B-PNDZS</b>	30.0	34.0	192
34	<b>B34B-PNDZS-1</b>	<b>B34B-PNDZS</b>	32.0	36.0	192
36	<b>B36B-PNDZS-1</b>	<b>B36B-PNDZS</b>	34.0	38.0	192
38	<b>B38B-PNDZS-1</b>	<b>B38B-PNDZS</b>	36.0	40.0	160
40	<b>B40B-PNDZS-1</b>	<b>B40B-PNDZS</b>	38.0	42.0	160

### Material and Finish

Post: Copper alloy, copper-undercoated, tin-plated (reflow treatment)  
Wafer: Glass-filled PA 66, UL94V-0, ivory

**RoHS compliance** This product displays (LF)(SN) on a label.

<For reference> As the color identification, the following alphabet shall be put in the underlined part.  
For availability, delivery and minimum order quantity, contact JST.

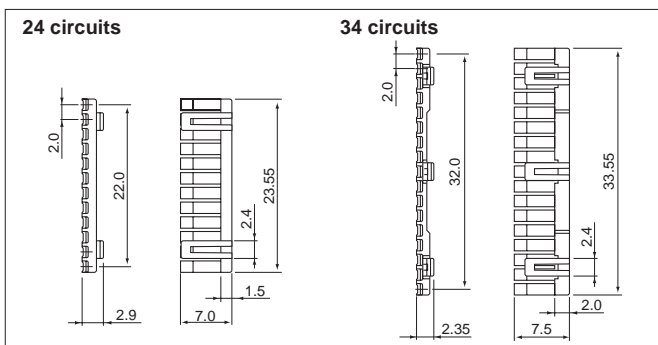
ex. **B28B-PNDZS-1**

Z...ivory

K...black R...red E...blue M...green

N...brown PK...pink D...orange

## Retainer



Circuits	Model No.	Qty / bag
24	<b>PNDS-24V-Z</b>	1,000
34	<b>PNDS-34V-Z</b>	1,000

### Material

Glass-filled PA 66, UL94V-0, ivory

### RoHS compliance