

PSU40 40W Desktop series

Desktop power supply

Features:

- Universal input voltage
- Optional input inlets
- Single output
- Optional output connectors
- Over voltage protection
- Over current protection
- High efficiency & reliability
- Compact package
- One year limited warranty

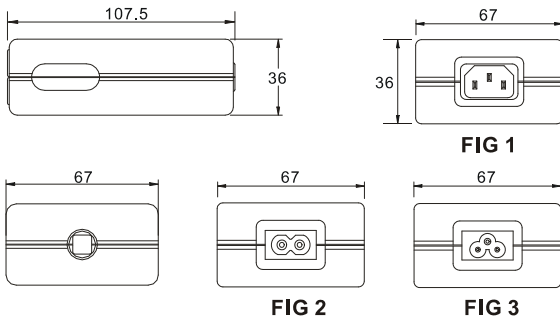


SAFETY AGENCY APPROVALS:

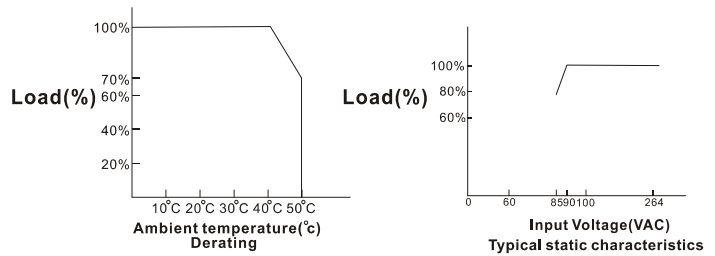
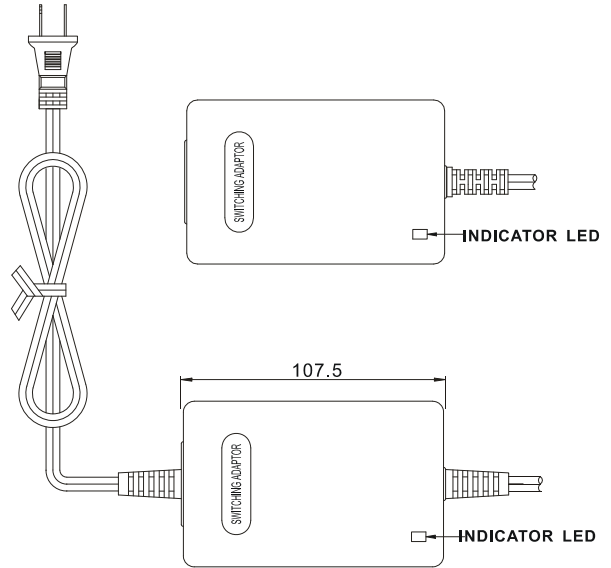


Specifications:	PSU40 series:
Input voltage	100~240VAC
Input frequency	50~60Hz (Limits:47~63Hz)
Input current	1.0A Max.
Safety ground leakage current	Class1:3.5mA/Class2:0.25mA Max. @240VAC/50Hz
Output voltage	See rating chart
Output current	See rating chart
Output power range	40 watts Max.
Ripple	1% peak to peak maximum
Over voltage protection	Provided on outputs set at 112~132% of its nominal output voltage
Over current protection	All outputs protected to short circuit conditions
Temperature coefficient	All output $\pm 0.04\%/^{\circ}\text{C}$ maximum
Transient response	Maximum excursion of 4% or better on all models. Recovering to 1% of final value within 500uS after a 25% step load change
Operating temperature	0 $^{\circ}\text{C}$ ~+40 $^{\circ}\text{C}$. See derating curve
Storage temperature	-40 $^{\circ}\text{C}$ ~+85 $^{\circ}\text{C}$
Relative humidity	5% to 95% non-condensing
Derating	Derated from 100% at + 40 $^{\circ}\text{C}$ linearly to 70% at 50 $^{\circ}\text{C}$
Efficiency	See rating chart
Hold - up time	10 msec minimum
Line regulation	$\pm 1\%$ maximum for any input voltage change between input voltage range
Load regulation	$\pm 5\%$ variations from minimum to maximum output current.
Insulation resistance	50Mohm minimum from output to ground
Inrush current	15AMPS@115 VAC or 30AMPS @ 230VAC at 25 $^{\circ}\text{C}$ cold start
Withstand voltage	4242VDC from input to output
Mean time between failure	50,000 hours minimum at full load at 25 $^{\circ}\text{C}$ ambient
EMI requirements	Meet CE standards
Safety requirements	Meets or exceeds(A)UL1950 (B) CSA C22.2 (C) TUV EN60950-1(D)IEC 950
Warranty	1year

UNIT: mm



USA VERSION (OPTIONAL)



X=A=IEC-320-C14 (FIG1) or B=IEC-320-C8 (FIG2) or C=IEC-320-C6 (FIG3) or D=MAINS CORD INPUT

Model name	Output Voltage(VDC)	Output Current(A)	Max. Output Power (W)	Ripple(mV) Max.	Line Regulation (%)	Load Regulation (%)	Efficiency (%) (min)	Measured at the output of
PSU40X-0	3~5	5.00~3.00	15	50	1	10	55	3.3
PSU40X-1	5~6	5.00~4.17	25	50	1	6	55	5
PSU40X-1-1	6~8	5.00~3.57	30	80	1	5	60	7.5
PSU40X-2	8~11	4.37~3.18	35	80	1	5	65	9
PSU40X-3	11~13	3.63~3.07	40	80	1	4	70	12
PSU40X-4	13~16	3.07~2.50	40	100	1	3	70	15
PSU40X-5	16~21	2.50~1.90	40	100	1	3	70	18
PSU40X-6	21~27	1.90~1.48	40	150	1	3	70	24
PSU40X-7	27~33	1.48~1.21	40	150	1	2	70	28
PSU40X-8	33~48	1.21~0.83	40	150	1	2	70	48

Y: U=American Type or E=European Type

Model name	Output Voltage(VDC)	Output Current(A)	Max. Output Power (W)	Ripple(mV) Max.	Line Regulation (%)	Load Regulation (%)	Efficiency (%) (min)	Measured at the output of
PSU40D-0-Y	3~5	5.00~3.00	15	50	1	10	55	3.3
PSU40D-1-Y	5~6	5.00~4.17	25	50	1	6	55	5
PSU40D-1-1-Y	6~8	5.00~3.57	30	80	1	5	60	7.5
PSU40D-2-Y	8~11	4.37~3.18	35	80	1	5	65	9
PSU40D-3-Y	11~13	3.63~3.07	40	80	1	4	70	12
PSU40D-4-Y	13~16	3.07~2.50	40	100	1	3	70	15
PSU40D-5-Y	16~21	2.50~1.90	40	100	1	3	70	18
PSU40D-6-Y	21~27	1.90~1.48	40	150	1	3	70	24
PSU40D-7-Y	27~33	1.48~1.21	40	150	1	2	70	28
PSU40D-8-Y	33~48	1.21~0.83	40	150	1	2	70	48

Note: Note:

- (1) Weight: Approx 300~350g
- (2) Optional output connectors