

三兴达微型电机有限公司

贝斯特(深圳)摩打厂

样品承认书

客户名称: 万宝刚

产品名称: _____

电机型号: SRC-545SAP-2490-70



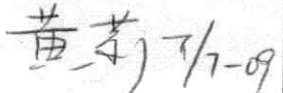
样品编号: 090707-4 / 80264

客户编号: _____

备注: _____

本司签章:

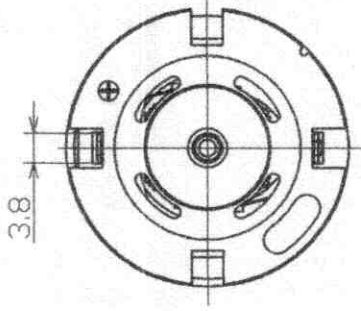
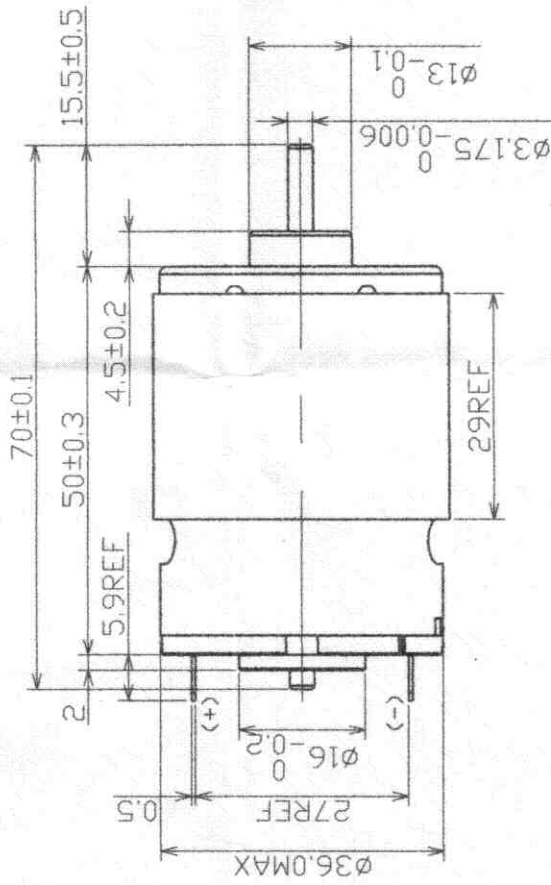
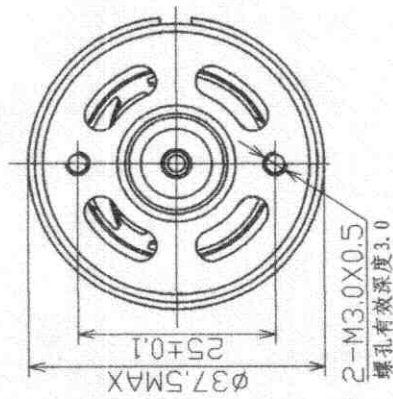
日期: 2009年7月7日

检查 TESTED BY	核对 CHECKED BY	承认 APPROVED BY
		 7/7-09

客户承认签章:

检查 TESTED BY	核对 CHECKED BY	承认 APPROVED BY

DIRECTION OF ROTATION



NOTES:

1. END PLAY 0.50mm MAX.
2. DIRECTION OF ROTATION: ANTI-CLOCKWISE WHEN VIEWING MOTOR OUTPUT END WITH POSITIVE VOLTAGE APPLIED TO POSITIVE TERMINAL.
3. FRONT EXTENSION IS MEASURED WITH SHAFT PUSHED TO PLASTIC END CAP.
4. OPERATING TEMPERATURE RANGE: -10°C --- 60°C
5. WEIGHT:

A	FIRST ISSUE	黄莉	06/11/11
ALT. REF.	DESCRIPTION	BY	DATE
MATERIAL	FINISH	TOLERANCES 1 DECIMALS ± 0.2 2 DECIMALS ± 0.10 3 DECIMALS ± 0.05 ANGULAR $\pm 2^{\circ}$	
TITLE		SCALE	DATE
MOTOR OUTLINE		DWN. BY 黄莉	09/07/07
		CHK. BY	
		APP. BY	
		DWG. NO.	
三兴达MOTOR		SRC-545SAP-2490-70	



三兴达微型电机有限公司 贝斯特(深圳)摩打厂

Graph drawing

No. : 090707-4

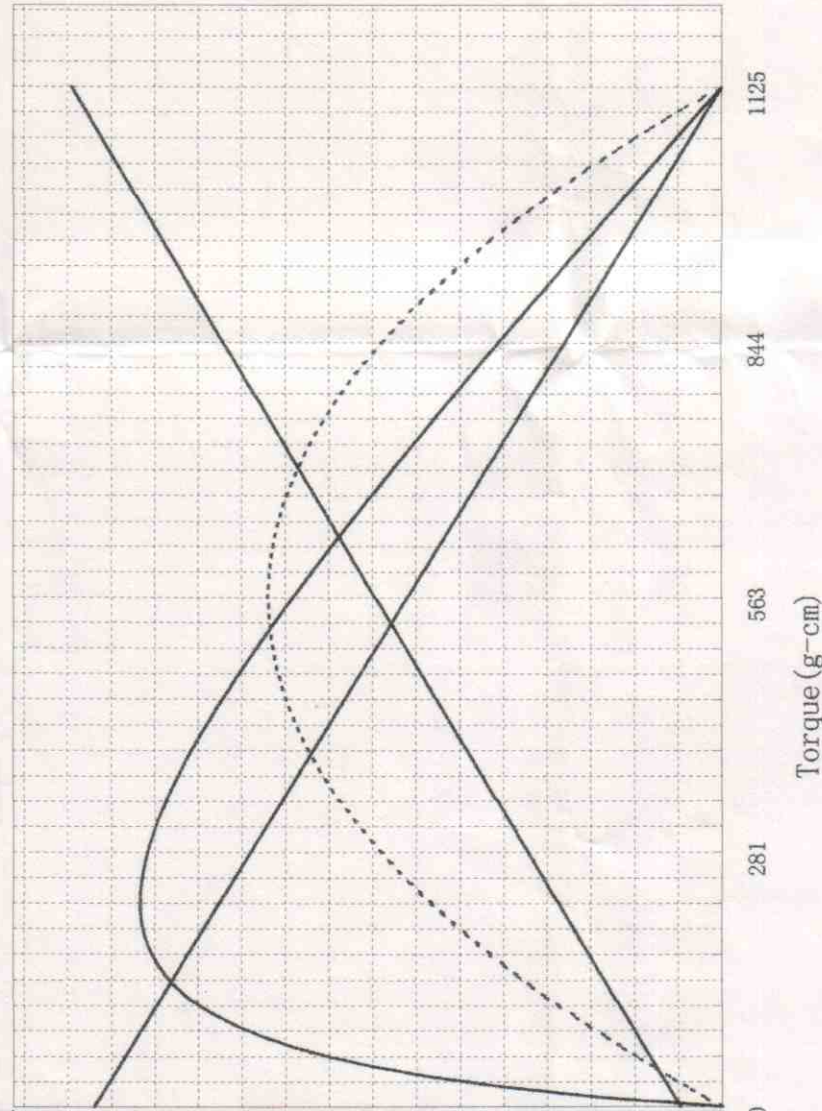
Model: SRC-545SAP-2490-70

Date: 2009-7-7

— Efficiency

----- Power output

η	P	I	N
75	15.0	3.3	3750
50	10.0	2.2	2500
25	5.0	1.1	1250
0	0	0	0



NOTE: Performance (in an ambient temperature of 25-30 °C)
Motor tested rapidly to prevent significant temperature rise.

Constant voltage : 12.0 Volts

Direction: CCW

At No Load

Speed: 3600 RPM

Current: 0.21 AMPS

At stall (Extrapolated)

Torque: 1125.0 gf-cm

Current: 3.32 AMPS

At maximum efficiency

Efficiency: 66.7 %

Torque: 225.0 gf-cm

Speed: 2880 RPM

Current: 0.83 AMPS

Output: 6.65 Watts

At maximum Power output

Output: 10.39 Watts

Torque: 562.5 gf-cm

Speed: 1800 RPM

Current: 1.76 AMPS

Issued by QA Reliability Testing Center

COMPUTER PRINT-OUT

NOMINAL MOTOR CURVES

Performance and characteristics are measured based on limited motor samples only

(NOTE: 1mN-m = 10.2g-cm)

