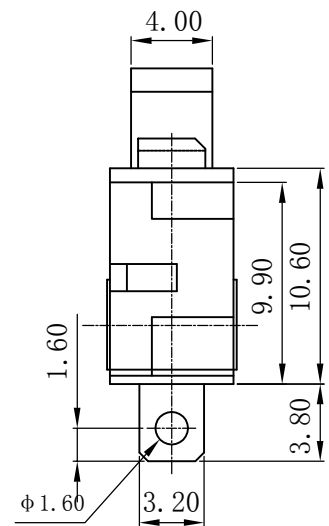
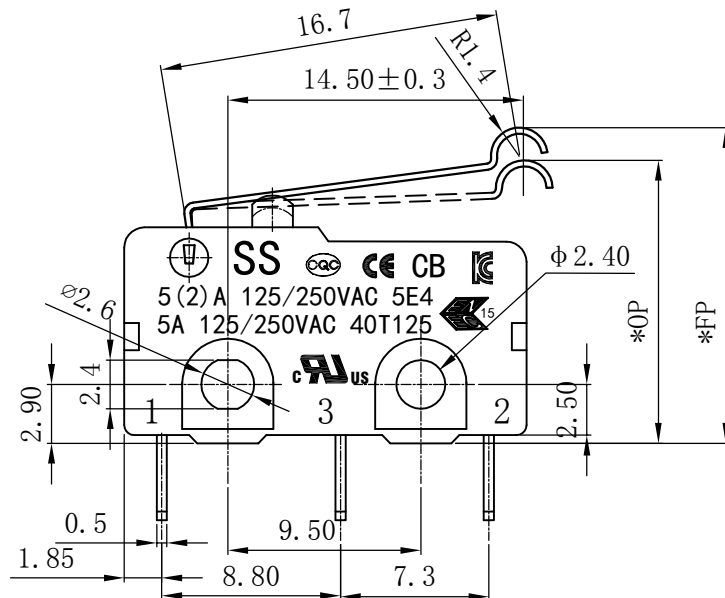
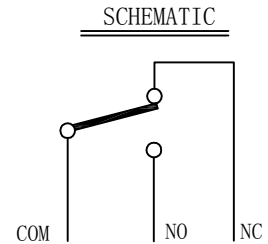
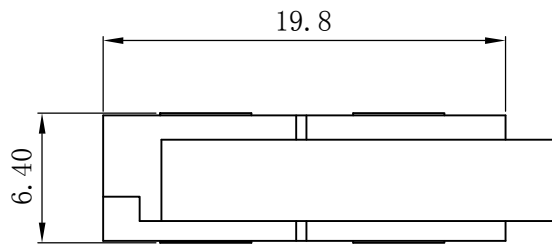


SWITCH TYPE	Micro Switches	MODEL NO.	SS5-07N1-050
1. Functional spec.			
1.1 Rated Voltage	125/250VAC	1.6 Free Position	16.0±1.2mm
1.2 Rated Current	5A	1.7 Operating Position	14.0±1.2mm
1.3 Contact Resistance	≤100mΩ (Initial value)	1.8 Position Travel	
1.4 Operating Force	50±20gf	1.9 Bounce Time	
1.5 Return Force		1.10	
2. Reliable Rating			
2.1 Mechanical Life	1,000,000 cycles	2.5 Soldering Temper.	Hand Soldering 350° 3-5S
2.2 Electrical Life	50,000 cycles	2.6 Ambient Temper. Used	-40℃ - +125℃
2.3 Insulation Resistance	≥100MΩ DC500V (Initial value)	2.7 Ambient Humidity Used	<85%RH
2.4 Withstand Voltage	AC1000V 1 minute (Initial value)	2.8 Contact configuration	SPDT

3. Dimension Drawing



DEWO Dwg No.		DEWO REV	A	Page 1 of 1	
Drawing Model	Specification	Tolerance	.X ±0.2 .XX ±0.1	Unit	mm
Prepared	Tony Xu	Reviewed		Approved	Effective date