

SPECIFICATION

OUR PART NAME: WDJ22A-20S-B5K(G)

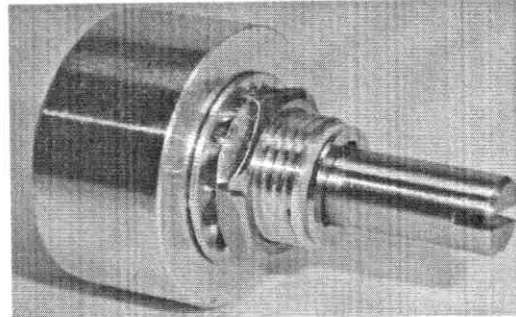
CUSTOMER'S PART NAME: _____

NO: C10A025

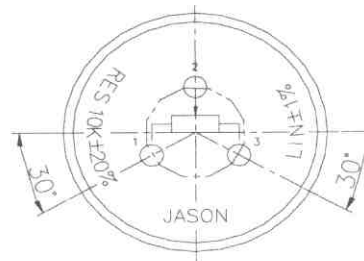
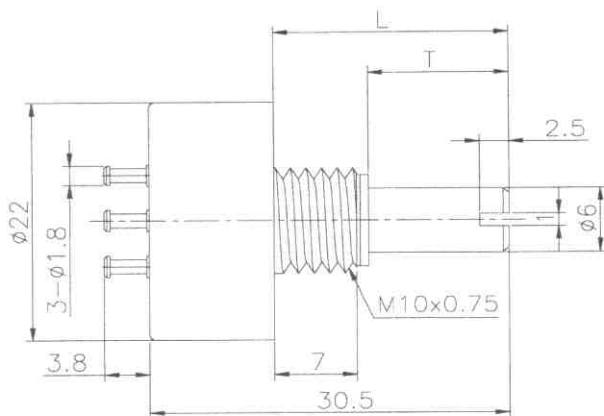
CUSTOMER'S NAME: 贊順企業有限公司

DATE: 2010.11.10

- Plastic housing
- Conductive plastic element with high resolution
- Resistance range 1 kohms to 100 kohms $\pm 20\%$
- Standard linearity tolerance $\pm 1\%$
- Rotational life 1 million shaft revolutions
- Electrical angle 350° ($+0^\circ \sim -5^\circ$)
- Mechanical angle 360° without stop
- Angular sensor
- Special operating torque



Dimensions



ELECTRICAL CHARACTERISTICS

- Technology
- standard resistance value
- Resistance taper
- standard resistance tolerance
- standard linearity tolerance
- Type of linearity
- Power rating
- Maximal recom .wiper current
- Insulation resistance
- Withstand voltage
- Temperature coefficient
- Effective angle

Conductive plastic

□ 1K , ■ 5K , □ 10K(special upto 100k)

□ A , ■ B , □ C

$\pm 20\%$

$\pm 1\%$

Independent linearity

0.5W / 70 °C

1mA ~ 10mA

500M Ω Min at 500V DC

1 Minute at 500V AC

± 500 PPM / °C

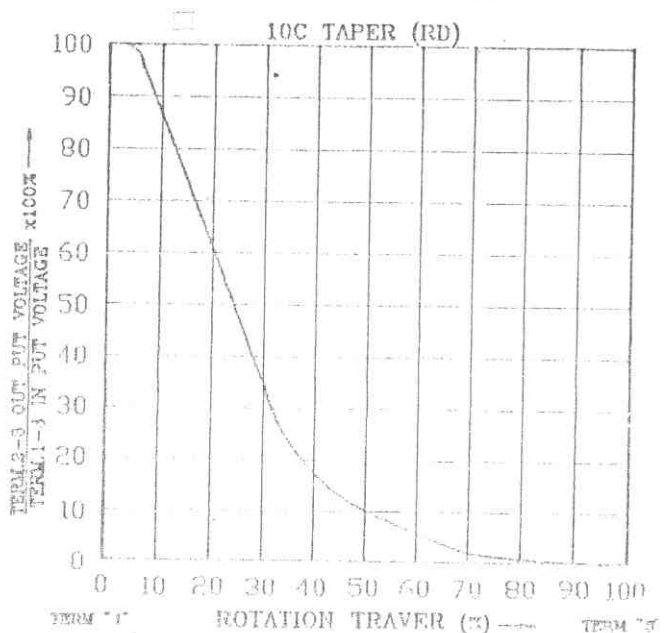
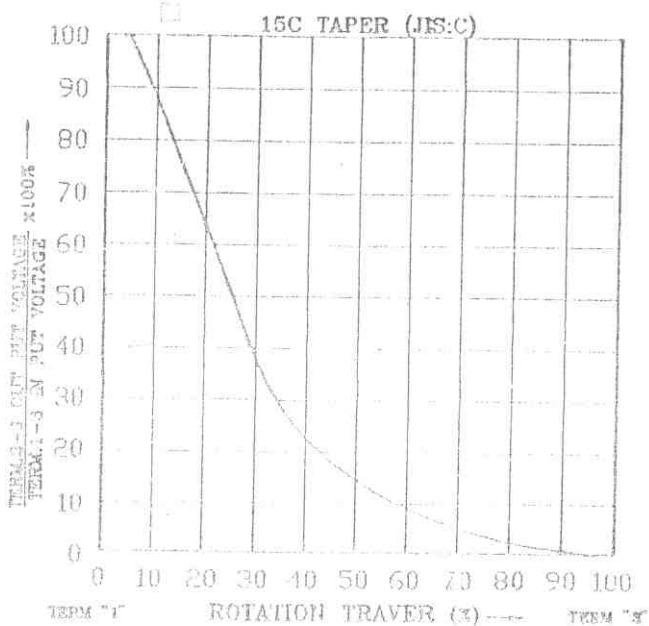
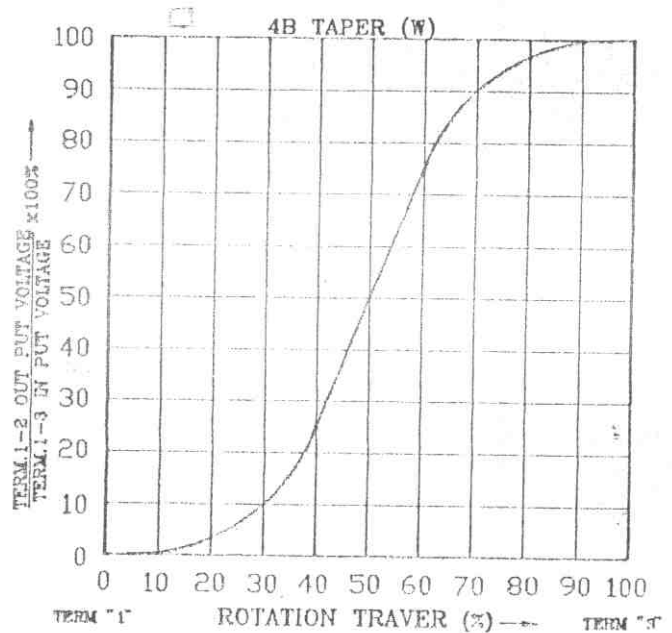
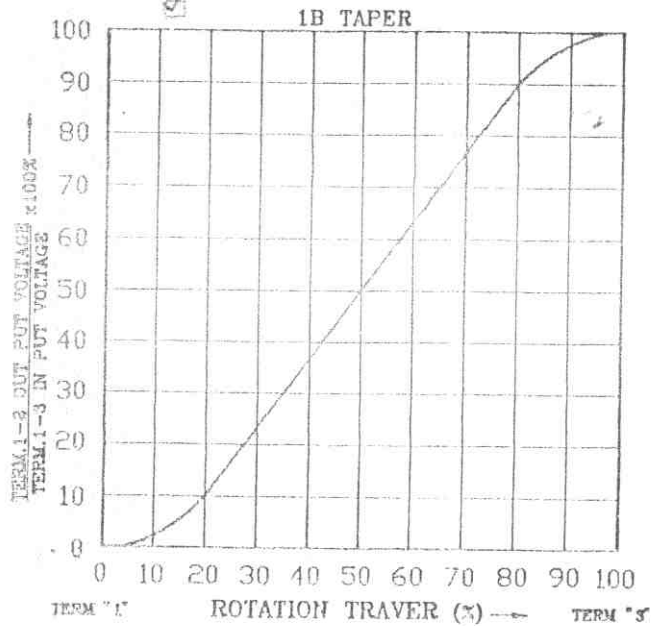
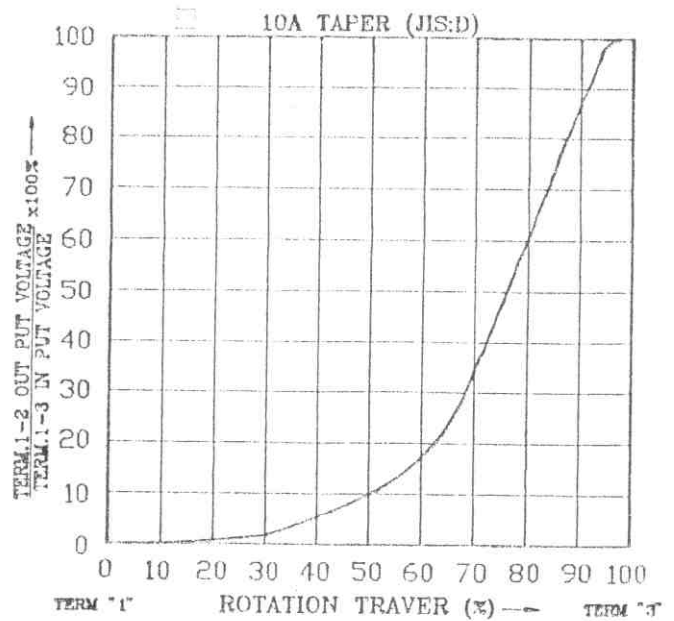
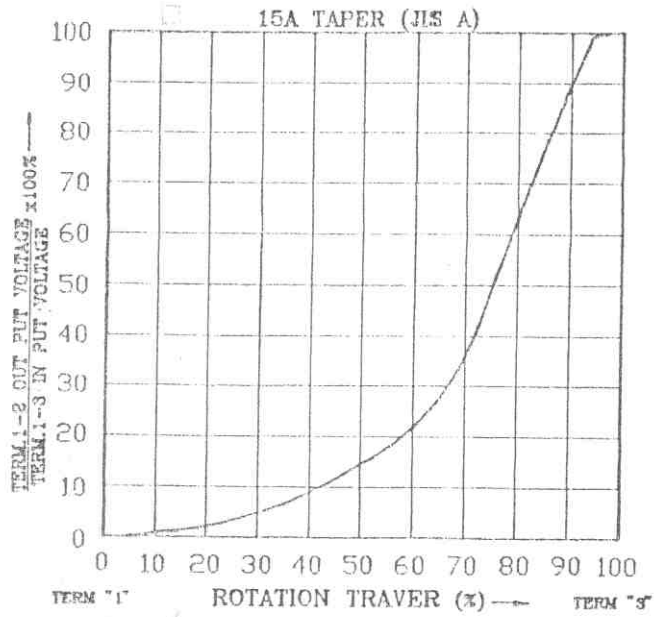
350° ($+0^\circ \sim -5^\circ$)

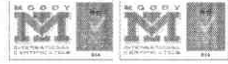
MECHANICAL CHARACTERISTICS

- Mechanical angle 360° without stop
- Rotational life (shaft revolutions) 10,000,000 cycles
- Get up < 0.098 N (MAX)
- Operating temperature $-40^\circ\text{C} \sim +125^\circ\text{C}$
- Bushing nut tightening strength More than 6 kg

JASON ELECTRONICS INDUSTRY LTD.

STANDARD RESISTANCE TAPER





ISO-9001:2000 ISO-14001:2004
110610015 120811013

承認書

SPECIFICATION

編號(NO): C10A025

日期(DATE): 2010.11.10

客戶名稱 (CUSTOMER'S NAME): 贊順企業有限公司

華炬品名 (OUR PART NAME): WDJ22A-20S-B5K(G)

客戶品名(CUSTOMER'S PART NAME):

客 戶 承 認

核 准	審 核	經 辦 者
李躍鑫	崔彥魁	吳從榮

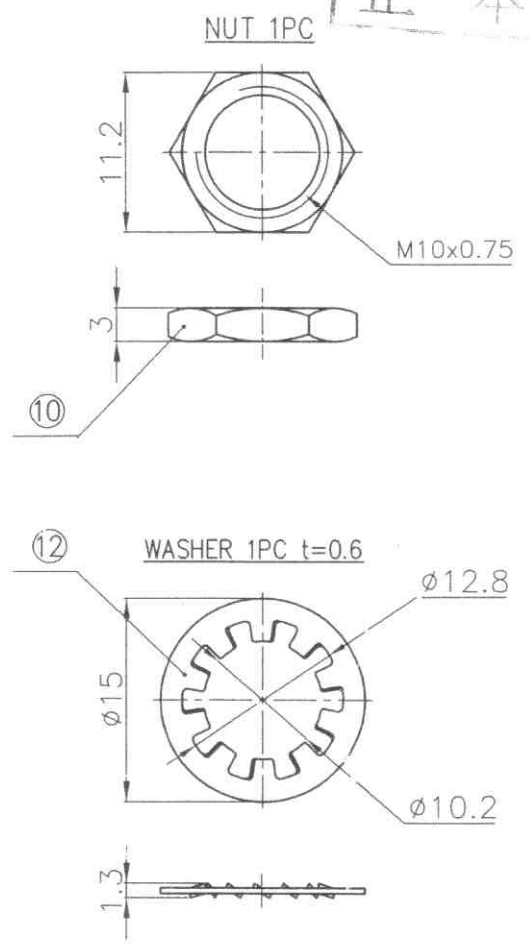
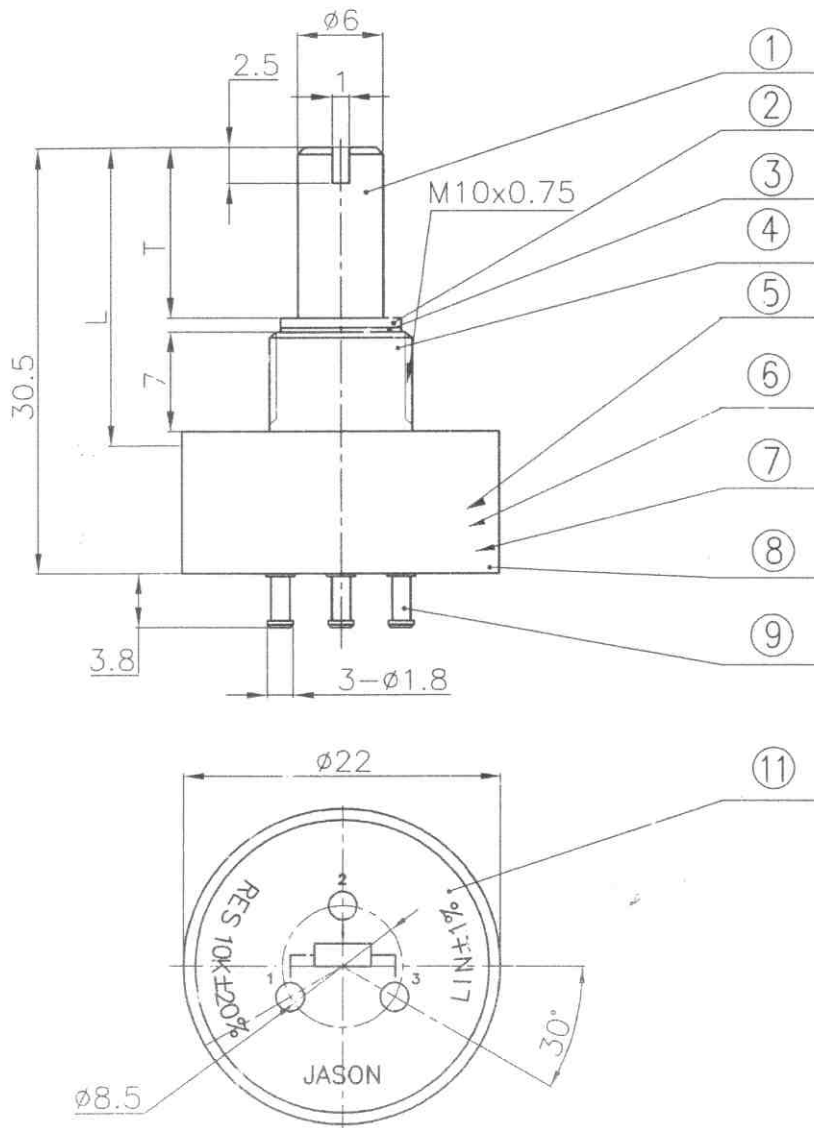
博羅縣石灣鎮華炬電子有限公司
HUA JU ELECTRONICS LTD.

TEL:86-752-6905901~902 FAX:86-752-6901299

中國廣東省惠州市博羅縣石灣鎮里波水管理區
LiBo shui, Shi Wan Town, Poluo County,
Huizhou City, Guang Dong Province, China

http://www.jcsen-hje.com E-mail:hje@jcsen-hje.com

正本



MECHANICAL CHARACTERISTICS:

Gut Up: <0.098N(MAX)
 Life Test: 10,000,000 Cycles
 Total Rotation Angle: 360°
 Effective Angel: 340°
 Operating Temperature: -40°C~+125°C

ELECTRICAL CHARACTERISTICS:

Insulation Resistance: >500ΩC.500V/min
 Withstand Voltage: AC500V- 1Minute
 temperature Coefficient: ±500ppm/°C
 Rated Power: 0.5W/70°C

13	W-326	Grease	A/R	
12	SR2634	Washer	1	Steel
11	WDJ2229A	Cover	1	Phenolic Board t=1.5
10	WN-10	Nut	1	
9	WDJ2220	Copper Nail	3	Brass
8	WDJ2211	Basic	1	Nylon+30%FB
7	WDJ2204	Resistor Element	1	Phenolic Board t=1.2
6	WDJ2207	Wiper	1	Phosphor-bronze t=0.1
5	WDJ2208	Block	1	PBT+30%FB
4	WDJ2202	Bushing	1	Brass
3	WDJ2234A	Washer	2	Teflon
2	WDJ2221	Wash	2	Steel
1	WDJ2201-20S	Shaft	1	Steel

NO	MODEL	L	T
✓	20S	20	11.85

NO	part No	Description	Q'TY	Matetial	Finishing	MODEL	WDJ22A- 2 0 S- B 5 K (G)	A
----	---------	-------------	------	----------	-----------	-------	----------------------------	---

TOLERANCES		DIMENSION	SCALE	DRAWN BY	CHECKED BY	APPROVED BY	DRAWING NO.
less than 10	± 0.3	m/m	/	郭 Mar.02'10 慶鐵	江 2010 秋南	江	WDJ22-001
above 10 - 30	± 0.5						Rotary\WDJ22\Spec
above 30 -100	± 1.0						
angular dimension	± 5'						

樣品檢查報告表

客戶 CUSTOMER:

贊順企業有限公司

DATE: 2010.11.10

品名 MODEL NO.	WDJ22A-20S-B5K(G)					APPROVAL	INSPECTOR												
數量 QUANTITY	3 PCS					李躍鑫	崔彥魁												
檢查 INSPECTION	<input type="checkbox"/> 機械 MECHANICAL <input type="checkbox"/> 電氣 ELECTRICAL																		
機械及電氣規格檢驗項目										MECHANICAL & ELECTRICAL INSPECTION ITEM									
NO	迴轉角度	迴轉轉矩	止動強度	全阻值	殘留阻值		轉動雜音	絕緣阻抗	耐電壓	尺寸檢查									
	OVERALL ROTATION	OPERATION TORQUE	STOP STRENGTH	OVERALL RESISTANCE	RESIDUAL RESISTANCE		ROTATION NOISE	INSULATION	DIELECTRIC	DIMENSION INSPECT									
	°	gf.cm	Kgf.cm	K OHM	1-2 < 10ohm	2-3 < 10ohm	mV	>100M ohm	1 MINUTE	20mm±0.5mm									
1	360	30	OK	4.62	/	/	/	OK	OK	19.93									
2	360	40	OK	4.77	/	/	/	OK	OK	19.96									
3	360	33	OK	4.52	/	/	/	OK	OK	19.82									
4																			
5																			
6																			
7																			
8																			
9																			
10																			
11																			
12																			
13																			
14																			
15																			
16																			
17																			
18																			
19																			
20																			
21																			
22																			
23																			
24																			
25																			
26																			
27																			
28																			
29																			
30																			