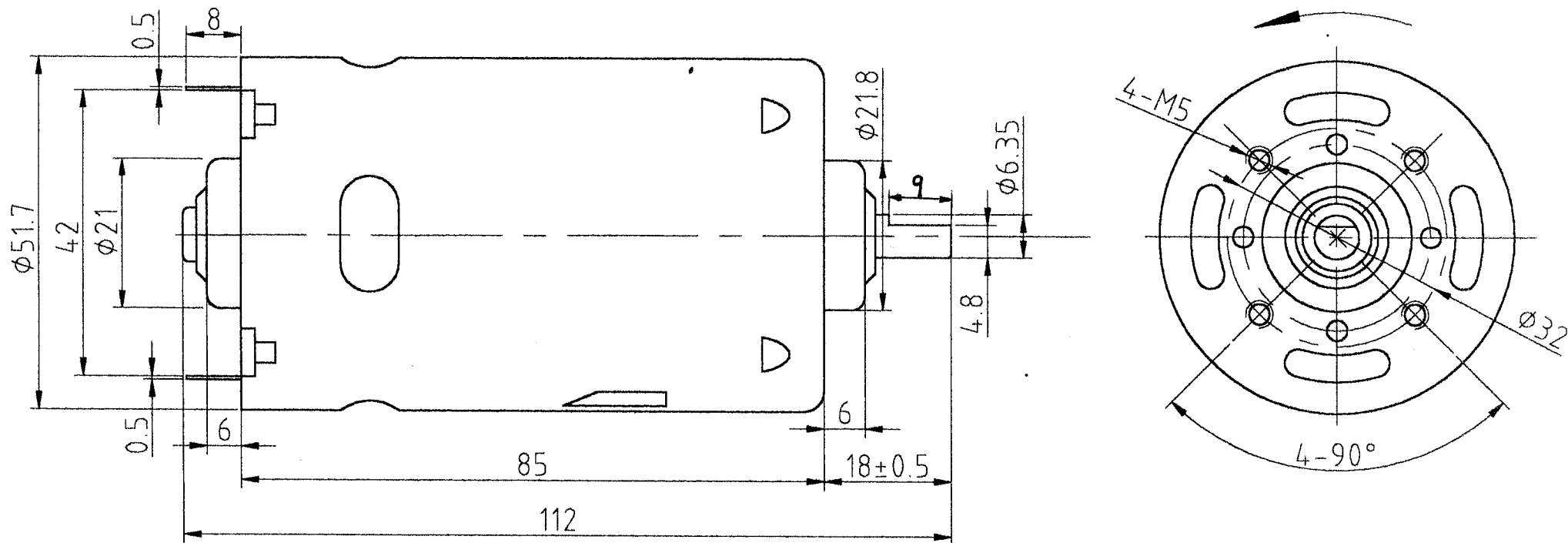


TO: Ms. ATHENA YU.



SAN YAU ELECTRIC IND. LTD.		
TITLE 12V/DC MOTOR		MODEL
MATERIAL NONE		YB77XL-1250-28MEH
FINISH NONE		PART NO.
SCALE 1:1	• TOLERANCES. All dimensions are in mm ± Unless otherwise specified 0.1 ± All holes & round dimensions 0.1 indicated surf.	DWN./DATE 廖彩容
PROJECTION 3rd Ang		CHK./DATE 陳俊朝
SHEET 1 OF 1		APP./DATE 廖彩容
		2001.10.20



三友電機有限公司

SAN YAU ELECTRIC IND. LTD.
MOTOR PERFORMANCE CHART

DATE : 2001.10.20

暂定型号: YB77XL-1250-28MEH

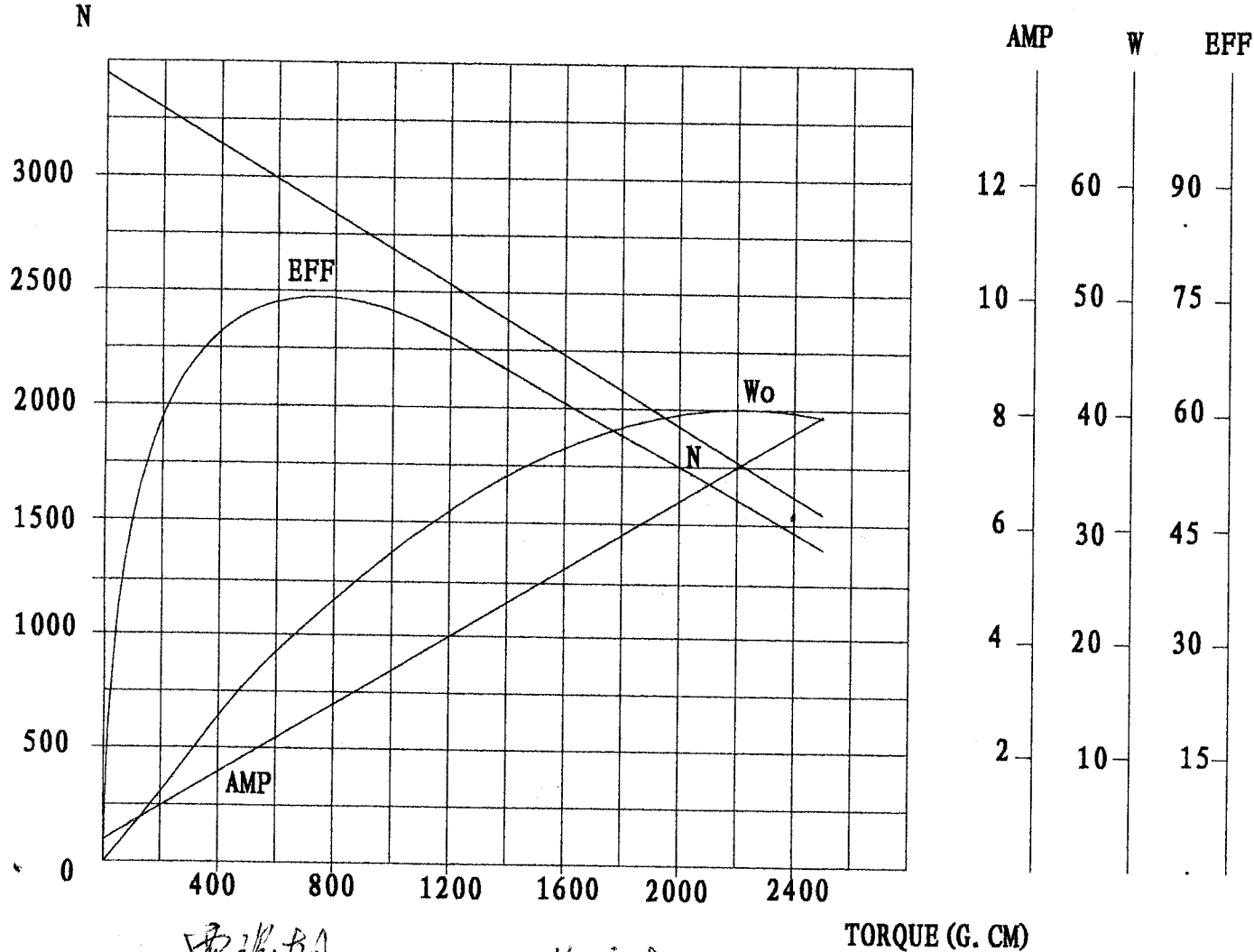
第几次样 (1)

NO. FOR. APPLICANT: DA1332

确定型号: 样机端电压 12V/DC

MOTOR SAMPLE NO: 011026J

样机其它附件:



费波朝

APPROVED: 费波朝

2001.10.20

SHEET 1 OF 2

DC CONSTANT		
SUPPLY		
VOLTAGE	V	12
FREQUENCY	Hz	/
NO LOAD		
SPEED	RPM	3450
CURRENT	AMP	0.38
AT STALL		
TORQUE	G. CM	/
CURRENT	AMP	/
AT MAX EFFICIENCY		
EFFICIENCY	%	73.5
POWER	W	25.6
SPEED	RPM	2773
TORQUE	G. CM	900
CURRENT	AMP	2.9
AT MAX POWER		
OUTPUT	W	40
SPEED	RPM	1698
TORQUE	G. CM	2300
CURRENT	AMP	7.2
CHARACTERISTICS		
TOR. CONST	G. CM/AMP	/
EMF. CONST	V/RAD/SEC	/
DYNAMI "R"	OHM	/
REGULATION	RPM/G. CM	/