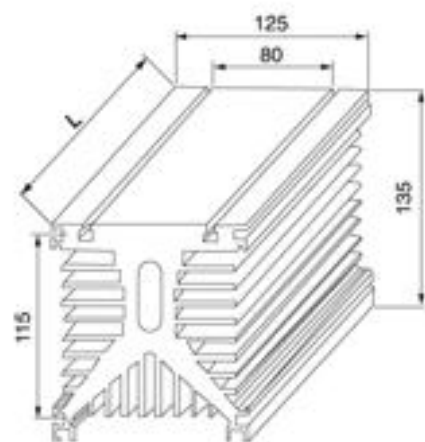
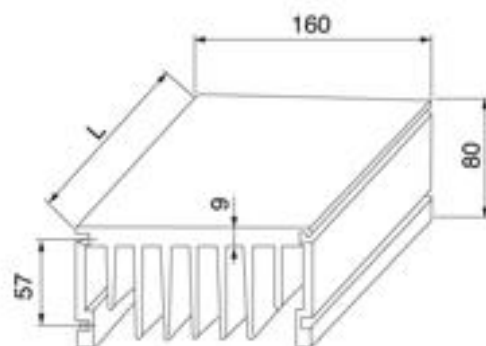


ZLXC-M1



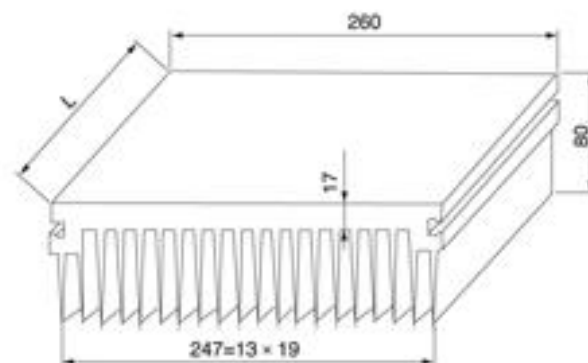
Section area	Circumference	Weight
77.78cm ²	2302cm	21kg/m

ZLXC-M2



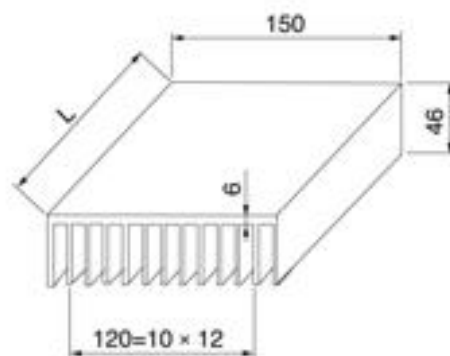
Section area	Circumference	Weight
44.45cm ²	1652cm	12kg/m

ZLXC-M3



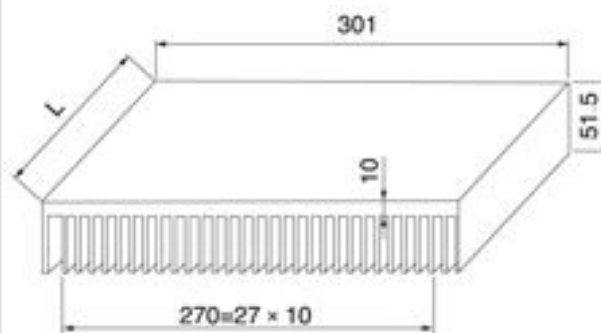
Section area	Circumference	Weight
93.3cm ²	2540cm	25.2kg/m

ZLXC-M4



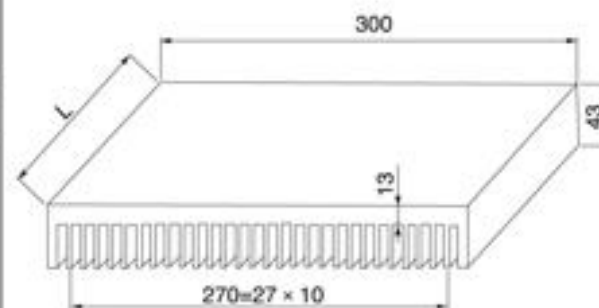
Section area	Circumference	Weight
29.3cm ²	1924cm	7.95kg/m

ZLXC-M5



Section area	Circumference	Weight
59.3cm ²	3080cm	16kg/m

ZLXC-M6



Section area	Circumference	Weight
66.7cm ²	1205cm	18.8kg/m