

**Permanent Magnet DC Motor BM1109**



**Parameter**

Volt:24V-48V

Power:500W-2000W

48VDC 1500W

Voltage / V: 48V

Rated power / W: 1500W

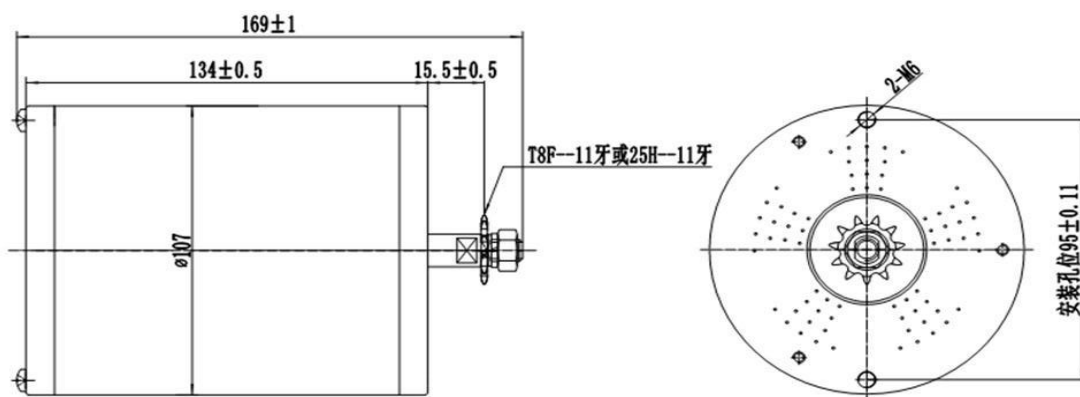
Rated torque / N · m: 3.5N.m

Maximum speed: 5000

Rated speed / RPM: 4000

Rated current: 30A

Chain Sprocket: T8F 11T (Belt Drive is available)



# YALU 亚陆® WENZHOU YALU ELECTRIC CO.,LTD

Grey Color:

