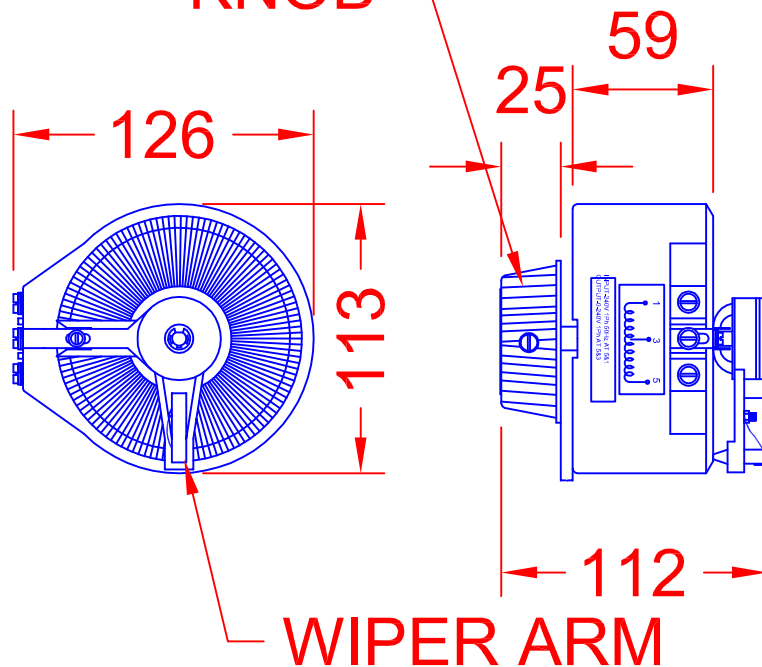
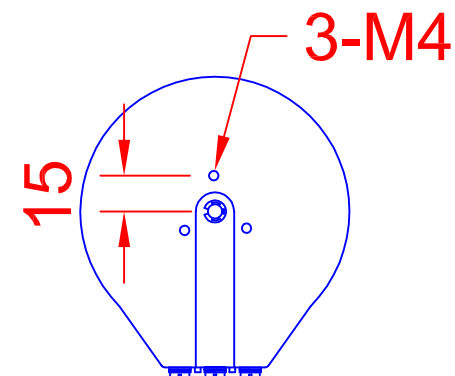


TOLERANCES (UNLESS SPECIFIED)	
0-10mm	±0.2mm
10.1-50mm	±0.5mm
50.1-250mm	±1.0mm
>250mm	±2.0mm

ADJUSTING  
KNOB



WIPER ARM



TOP VIEW WITH KNOB  
REMOVED TO SHOW  
MOUNTING POINTS

VARIAC

MODEL CMV1.5X-1  
INPUT 240V  
OUTPUT 0-240V  
RATED 1.5 AMPS

TERMINATIONS M4 BOLTS

- 1 LIVE 240V I/P
- 3 LIVE O/P (VARIABLE)
- 5 NEUTRAL I/P AND O/P

REV	
4	
3	
2	
1	

**CARROLL & MEYNELL**  
TRANSFORMERS LIMITED  
TEL: 01642 617406 FAX: 01642 614178  
enquiries@carroll-meynell.com

TITLE SINGLE PHASE  
ENCASULATED VARIAC  
CMV1.5X-1  
ALL DIMENSIONS IN mm

DRAWN	PROJECTION	DATE	SCALE
SH		27/5/8	NTS
DRAW No	REV	PAGE	
6085	0	1/1	