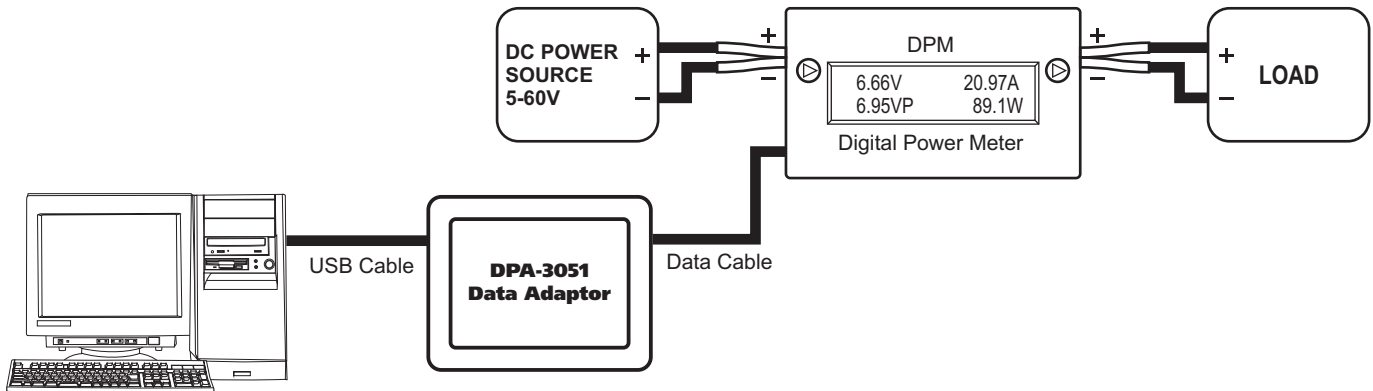


DPA-3051 Connection Diagram



Features

- Extra portable design
- Support USB 2.0
- Self powered to support DPM for offline analysis
- DPM application software
- Support Windows 7/ Vista/ XP/ Server 2003/ 2000/ 98SE

Description

DPA-3051 is data adapter for connecting Digital Power Meters DPM-3232, DPM-3221 to PC through USB 2.0 connection. By using proprietary DPM application software, it allows you to extract and analysis data stored in DPM. The downloaded data can be saved in your PC in commonly used data format for other applications use. It works with DPM either online or offline. The graphical interface of the application software enables you to do instant data analysis. Besides data analysis, it also displays real-time reading of voltage, current and power of DPM online.