

CONQUER Fuse Clips Are Professional Designed For Varies Of Circuits And Fusing Applications. These Clips Are Available In Several Finishing's And Base Materials Which Meet Specific Current, Strength, And Conductivity Requirements.

Specification Guide Codes:

- A= Item Number
- B= Metal Material
- C= Material Thickness (mm)
- D= Suitable Rated Current

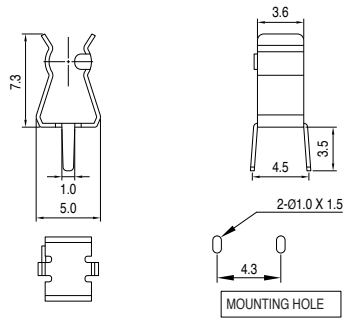
Option Finish Selecting:

- N= Nickel Plating
- S= Silver Plating
- (To Order Add N or S e.g. CQ-205B N)

P.C. BOARD MOUNT FUSE CLIPS FOR 3.6 mm DIAMETER FUSES



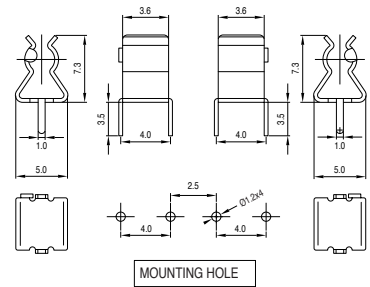
CQ-301A



- B: Spring Brass
- C: 0.3t
- D: 10A
- Bright Tin Plated
- Ear Type



CQ-301B

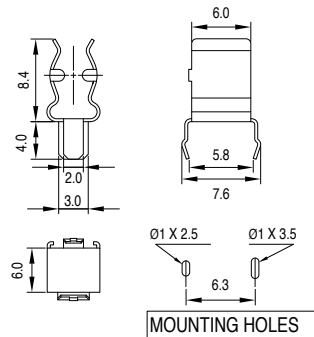


- B: Spring Brass
- C: 0.4t
- D: 10A
- Bright Tin Plated
- Ear Type

P.C. BOARD MOUNT FUSE CLIPS FOR 5 mm DIAMETER FUSES



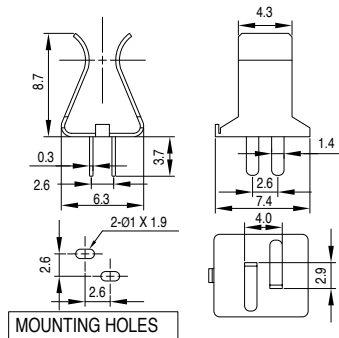
CQ-203B



- B: Phosphor Bronze
- C: 0.3t
- D: 10A
- Bright Tin Plated
- Ear Type



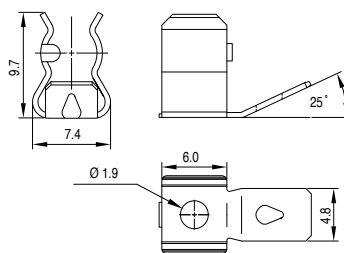
CQ-203D



- B: Spring Brass
- C: 0.3t
- D: 15A
- Bright Tin Plated
- Ear Type



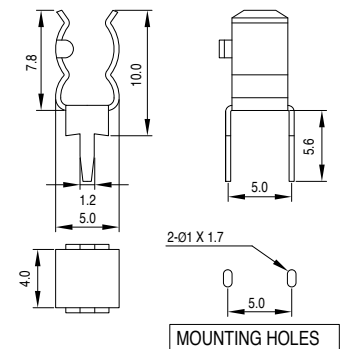
CQ-203E



- B: Phosphor Bronze
- C: 0.5t
- D: 15A
- Bright Tin Plated
- Ear Type



CQ-203H



- B: Spring Brass
- C: 0.4t
- D: 10A
- Bright Tin Plated
- Ear Type