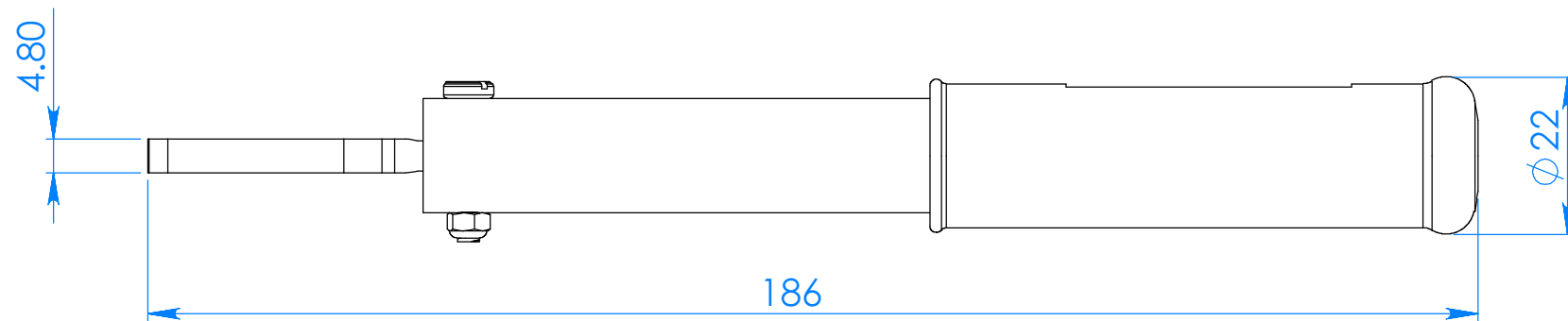
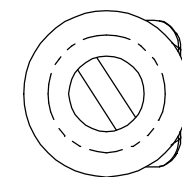
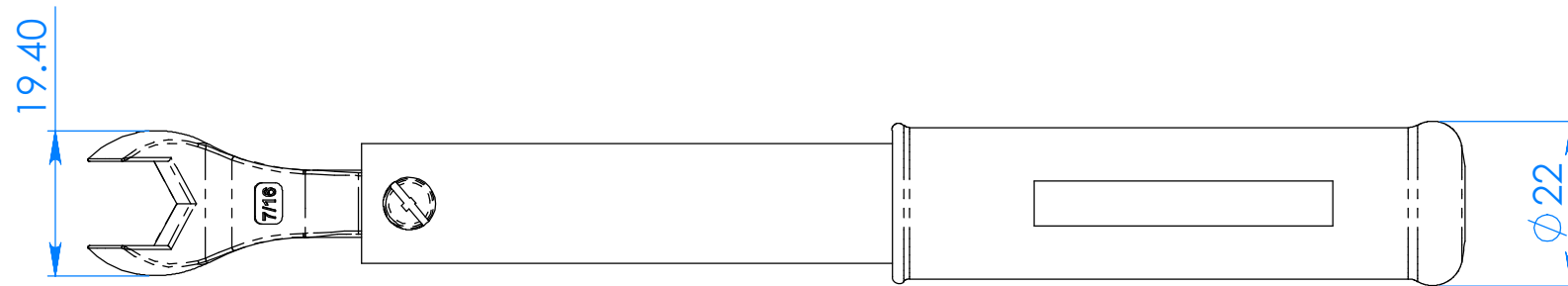


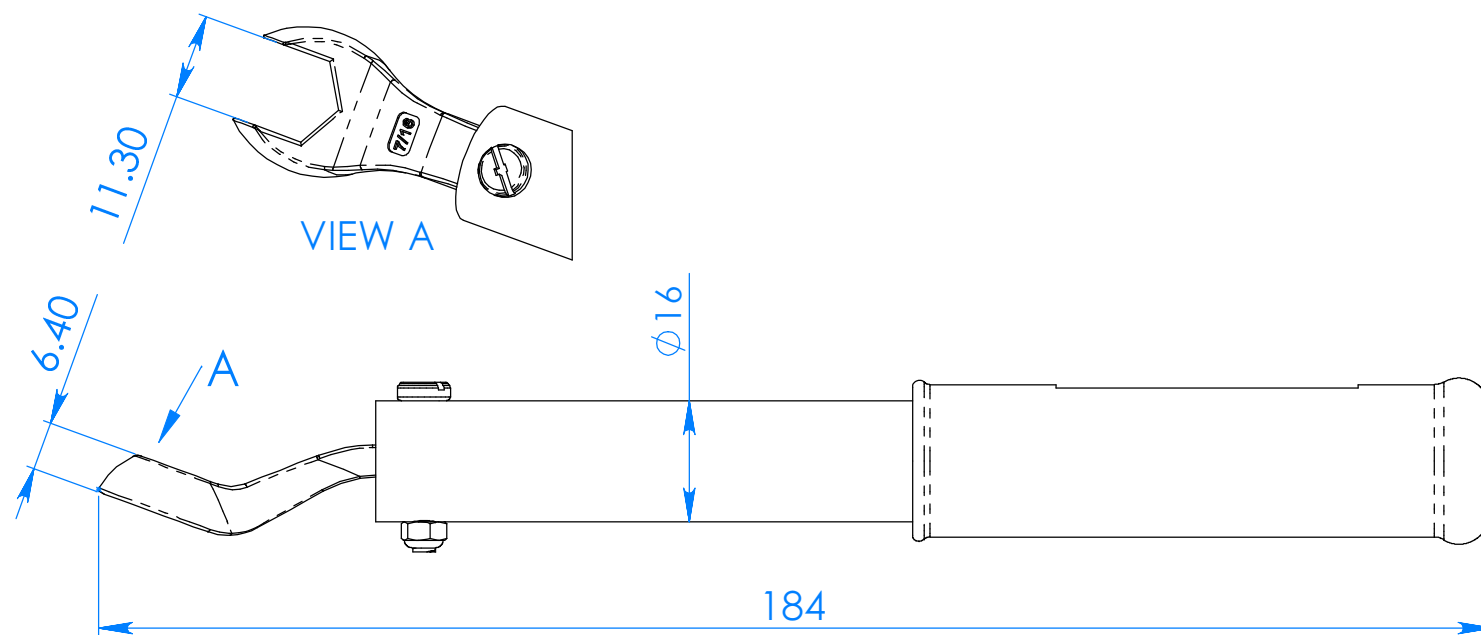
HT-601B



Torque:35Kgf-cm

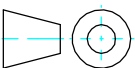


HT-601B1



Torque:35Kgf-cm

UNLESS OTHERWISE SPECIFIED
DIMENSIONS ARE IN MILLIMETER
TOLERANCES ARE



6mm↓	6-30mm	31-120mm	120mm↑
±0.1	±0.2	±0.3	±0.5

HANLONG IND. CO., LTD

MODIFICATION	
DATE	APPROVALS
2011/11/30	DRAWN 江流鈺
	CHECKED
	APPROVED

DWG NAME	HT-601		
PRJ NO.	SCALE	UNIT	3D
DWG NO.	REV.	1:1	mm
			SHEET 1/1