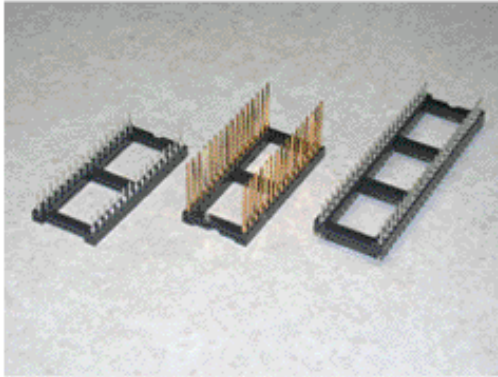


I.C. SOCKET MACHINED PIN (2.54 * 15.24mm)

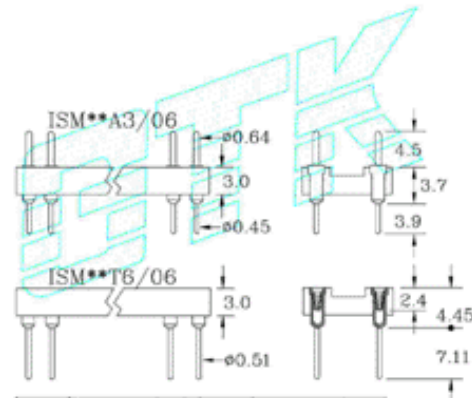
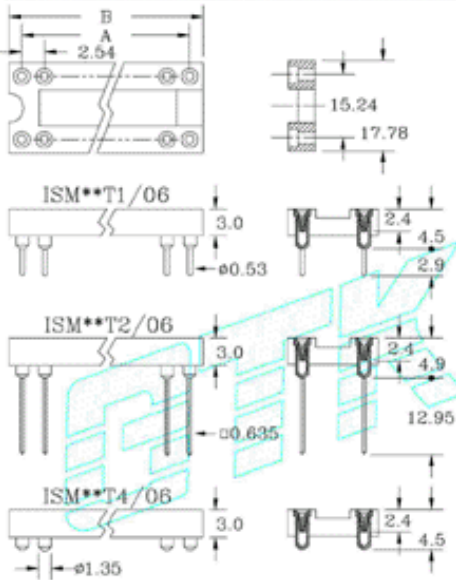


SPECIFICATIONS:

- *Contact Resistance : 30mΩ max. at DC 100mA
- *Insulator Resistance : 1000MΩ min. at DC 500V
- *Current Rating : 1 AMP

DIELECTRIC WITHSTANDING:

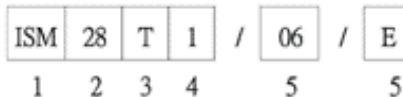
- *Voltage : AC 500V For 1 minute
- *Operating Temperature : -55° C ~ +105° C
- *Contact : Beryllium Copper
- *Housing : PPS & 30% Glass Fiber (UL 94V-0)



Position /06	Dimension (mm)			Position /06	Dimension (mm)		
	A	B	间距		A	B	间距
24	27.94	30.48	✓	24/E	27.94	30.48	✓
28	33.02	35.56	✓	28/E	33.02	35.56	✓
32	38.10	40.64	✓	32/E	38.10	40.64	✓
36	43.18	45.72	✓	40/E	48.26	50.80	✓
40	48.26	50.80	✓				
42	50.80	53.34	✓				
48	58.42	60.96	✓				

UNIT : mm

Ordering Information STANDARD DIMENSION : SHOW P/N END TO CODE #5
SPECIAL DIMENSION : KEEP SHOWING CODE #6 (PS. 標準碼為5碼, 第6碼視需要加註於標準碼後)



- SERIES NO (產品系列)
ISM = I.C. SOCKET MACHINED PIN
(I.C. 腳座 ; 車床端子)
- NO. OF PIN (端子數)
24, 28, 32, 36, 40, 42, 48,
- CONTACT PLATED (端子電鍍)
T = TIN PLATED ON SLEEVE &
GOLD PLATED ON CLIP (半金鍍)
G = ALL GOLD PLATED (全鍍金)
A = ALL TIN PLATED (全鍍錫)
- TERMINAL TYPE (端子型式)
1 = 4 CLIP CONTACT DIP SOLDER TYPE (四爪)
2 = 4 CLIP CONTACT WIRE WRAP TYPE (四爪; 長腳繞線)
3 = HEADER PIN ALL TIN PLATED (雙頭公)
4 = 4 CLIP CONTACT SMT TYPE (表面黏著式)
6 = 6 CLIP CONTACT (六爪長PIN)
- PITCH TYPE (排與排的距離)
06 = ROW TO ROW 15.24MM
24, 28, 32, 40, 42, 48
- WITHOUT CENTER BARS (無桿)
E = POSITION 24, 28, 32, 40 WITHOUT CENTER BARS
PS : STANDARD TYPE WITH CENTER BARS