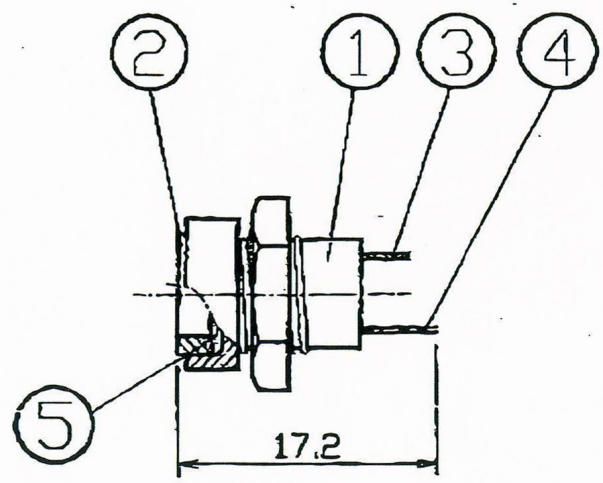


C	2.1m/mx5.5
D	2.5m/mx5.5

5	SPRING	STEEL	1
4	接觸片	BRASS	1
3	CENTRAL PIN	BRASS, NICKEL-PLATED	1
2	銅圈	BRASS, NICKEL-PLATED	1
1	BODY	NYLON	1
ITEM NO.	DESCRIPTION	MATERIAL	QUANTITY



CONTENTS	RELEVANT DOCUMENTS	SHALLIN ELECTRONICS CO., LTD.	MATERIAL	MODEL NO.	K36721C/D	TITLE
			UNIT	M/M	KIND NO.	DRAWING NO.
			SCALE	2 : 1	SPECIFICATION	PAGE