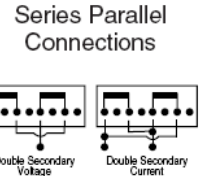
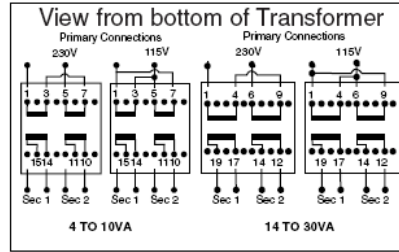
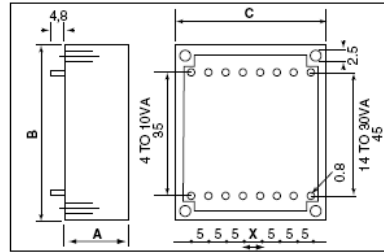
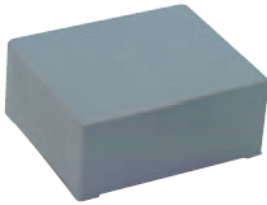


PCB TRANSFORMERS

Flat Pack Transformers

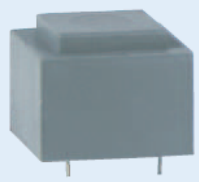


4VA		6VA		10VA		14VA		18VA		24VA		30VA	
CODE	VOLTS	CODE	VOLTS	CODE	VOLTS	CODE	VOLTS	CODE	VOLTS	CODE	VOLTS	CODE	VOLTS
FP4272	2x7,2	FP6272	2x7,2	FP10272	2x7,2	FP14272	2x7,2	FP18272	2x7,2	FP24272	2x7,2	FP30272	2x7,2
FP4209	2x9,0	FP6209	2x9,0	FP10209	2x9,0	FP14209	2x9,0	FP18209	2x9,0	FP24209	2x9,0	FP30209	2x9,0
FP4212	2x12	FP6212	2x12	FP10212	2x12	FP14212	2x12	FP18212	2x12	FP24212	2x12	FP30212	2x12
FP4215	2x15	FP6215	2x15	FP10215	2x15	FP14215	2x15	FP18215	2x15	FP24215	2x15	FP30215	2x15
FP4218	2x18	FP6218	2x18	FP10218	2x18	FP14218	2x18	FP18218	2x18	FP24218	2x18	FP30218	2x18
FP4224	2x24	FP6224	2x24	FP10224	2x24	FP14224	2x24	FP18224	2x24	FP24224	2x24	FP30224	2x24
A=19	B=53	A=23	B=53	A=29	B=53	A=25	B=68	A=29	B=68	A=32	B=68	A=36	B=68
C=44	X=5	C=44	X=5	C=44	X=5	C=57	X=6	C=57	X=6	C=57	X=6	C=57	X=6

*For more technical information contact your nearest AC/DC branch or distributor

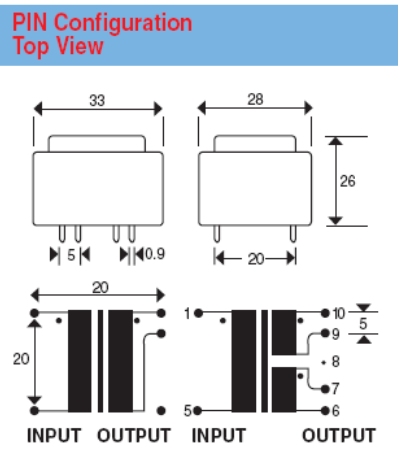
POWER SUPPLIES & TRANSFORMERS

Type 30 - 1,5 VA

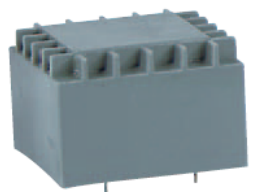


Eff.: 66% Temp. rise 21 °C

Code	Secondary Voltage (V)	Secondary Current (MA)	Off-load Voltage (V)
P01172	7,2	200	10,5
P01272	2 x 7,2	2 x 100	2 x 10,9
P01195	9,5	150	14,1
P01295	2 x 9,5	2 x 75	2 x 14,1
P01112	12,0	125	17,6
P01212	2 x 12,0	2 x 62	2 x 17,1
P01115	15,0	100	22,9
P01215	2 x 15,0	2 x 50	2 x 22,2
P01117	17,5	85	26,2
P01217	2 x 17,5	2 x 42	2 x 25,9
P01124	24,0	62	34,8
P01224	2 x 24,0	2 x 31	2 x 34,5

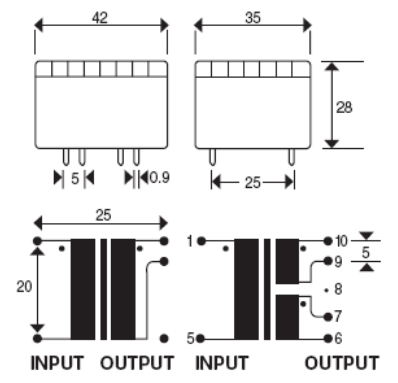


Type 38 - 2 VA

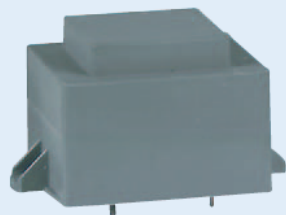


Eff.: 60% Temp. rise 24 °C

Code	Secondary Voltage (V)	Secondary Current (MA)	Off-load Voltage (V)
P02172	7,2	275	8,4
P02272	2 x 7,2	2 x 137	2 x 8,4
P02195	9,5	200	11,2
P02295	2 x 9,5	2 x 100	2 x 11,1
P02112	12,0	170	14,4
P02212	2 x 12,0	2 x 85	2 x 14,1
P02115	15,0	130	17,9
P02215	2 x 15,0	2 x 65	2 x 17,1
P02117	17,5	115	20,8
P02217	2 x 17,5	2 x 55	2 x 20,2
P02124	24,0	83	28,7
P02224	2 x 24,0	2 x 40	2 x 28,8



Type 42 - 3 VA



Eff.: 67% Temp. rise ±28 °C

Code	Secondary Voltage (V)	Secondary Current (MA)	Off-load Voltage (V)
P03172	7,2	415	8,6
P03272	2 x 7,2	2 x 208	2 x 8,7
P03195	9,5	330	11,3
P03295	2 x 9,5	2 x 165	2 x 11,3
P03112	12,0	250	14,4
P03212	2 x 12,0	2 x 125	2 x 13,9
P03115	15,0	200	17,9
P03215	2 x 15,0	2 x 100	2 x 18
P03117	17,5	170	21,4
P03217	2 x 17,5	2 x 85	2 x 21,2
P03124	24,0	125	28,5
P03224	2 x 24,0	2 x 60	2 x 28,5

