



**MANTECH<sup>®</sup>**  
ELECTRONICS

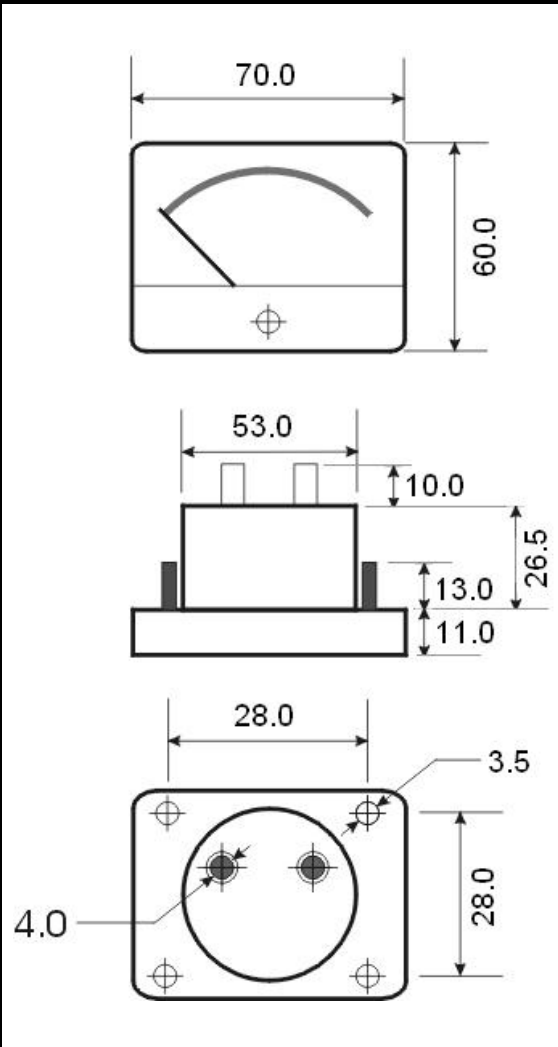
**PM1**

**PANEL METERS**

AVAILABLE RATINGS				
AC	DC			
Volts	Volts	Amps	mA	μA
100V	5	1	1	50
	<b>10</b>	<b>2</b>	<b>10</b>	<b>100</b>
	15	3	50	200
	<b>30</b>	<b>5</b>	<b>100</b>	<b>300</b>
500V	50	10	200	500
	<b>100</b>	<b>15</b>	<b>300</b>	-
	-	20	500	-

APPLICATIONS	
•	Power supplies
•	Instruments
•	Control panels

NOTES	
1.	Instruments are sensitive to vibration and strong magnetic fields. HANDLE WITH CARE !
2.	Nuts are provided for panel mounting.



*These specifications are subject to change without notice.*

PO BOX 260455 - EXCOM - 2023 - SOUTH AFRICA			
	Tel	Fax	email
Jhb	(011) 493-9307	(011) 493-9319	sales@mantech.co.za
Cape	(021) 535-3150	(021) 535-3828	cape@mantech.co.za
Kzn	(031) 303-4222	(031) 303-2646	kzn@mantech.co.za
<b>www.mantech.co.za</b>			

**MANTECH ELECTRONICS, A MOBICON COMPANY**