

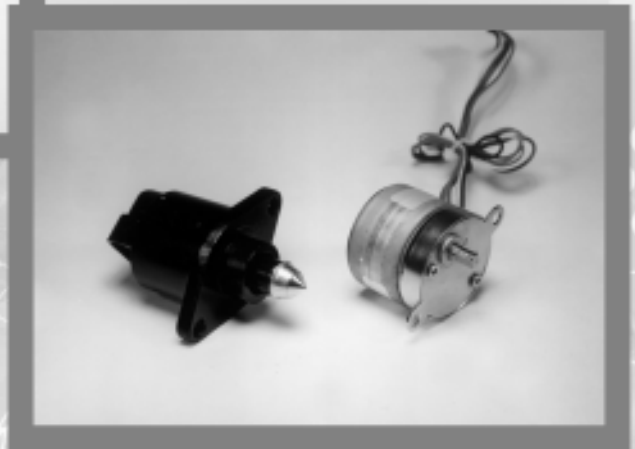


FULLING MOTOR

MANTECH ELECTRONICS

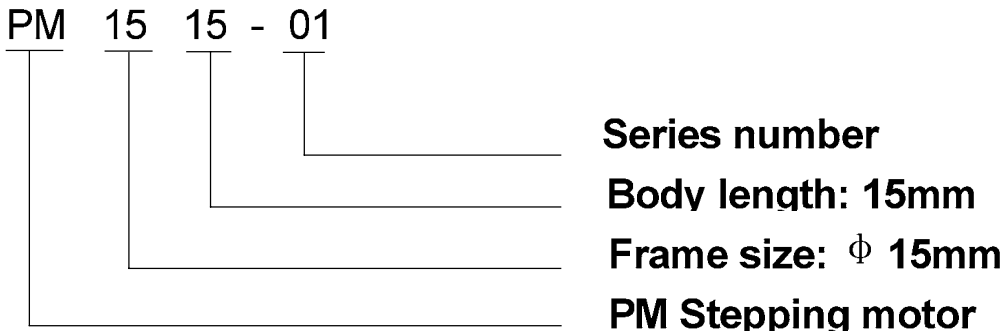
www.mantech.co.za

sales@mantech.co.za

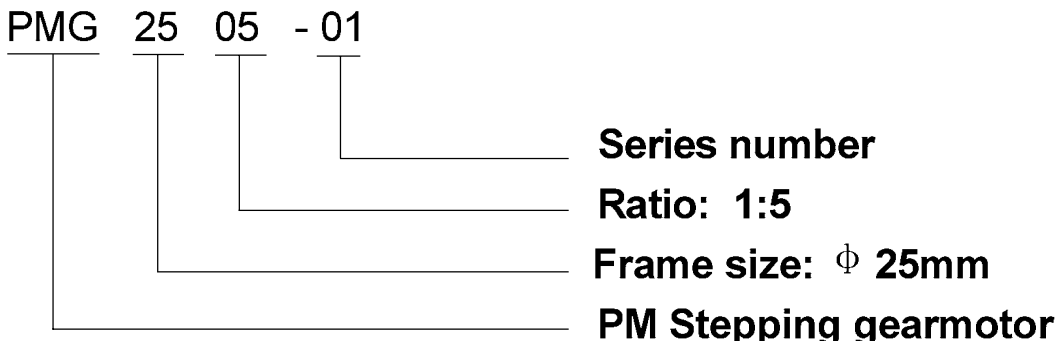


PM Stepping Motor & PM Stepping Gearmotor

◆ Product Number Code For PM Stepping Motor



◆ Product Number Code For PM Stepping Gearmotor





PM STEPPING MOTOR

PM15/20/25 SERIES

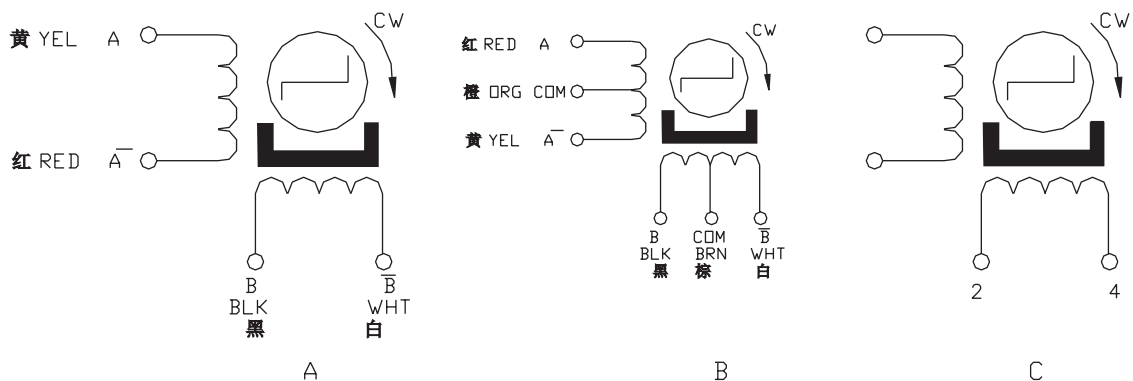
◆ General Specification for PM Stepping Motor

Item	Specifications
Step Angle Accuracy	± 8% (full step, no load)
Resistance Accuracy	± 10%
Temperature Rise	80°CMax.(rated current,2 phase on)
Ambient Temperature	-20°C~+50°C
Insulation Resistance	100M Ω Min. ,500VDC
Dielectric Strength	500VAC for one minute
Shaft Radial Play	0.06Max. (450 g-load)
Shaft Axial Play	0.08Max. (450 g-load)

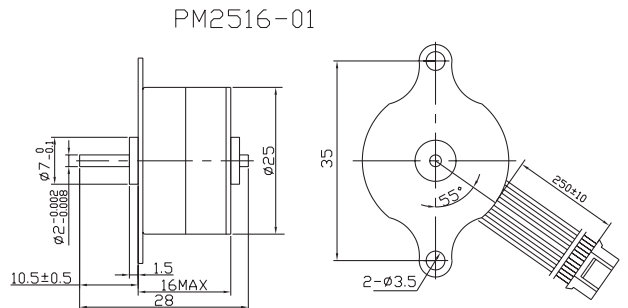
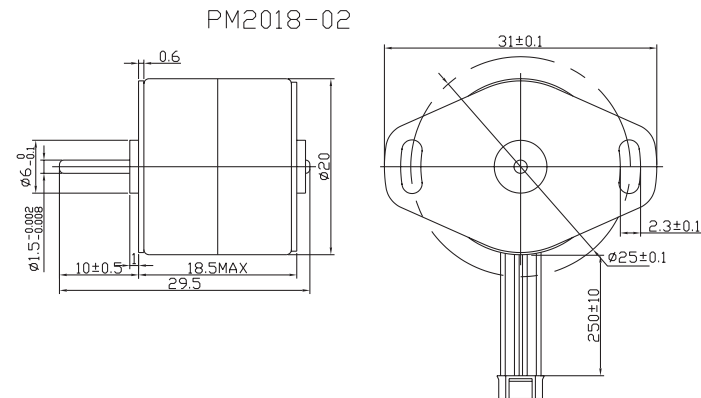
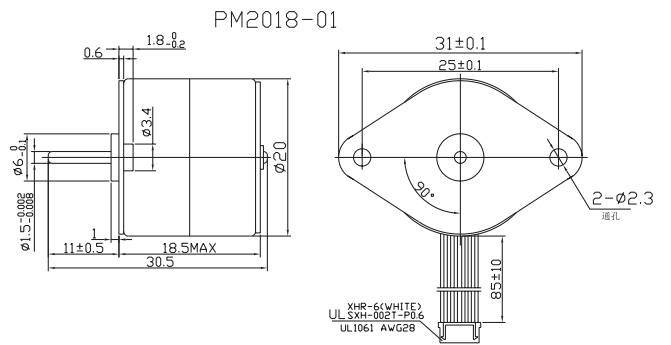
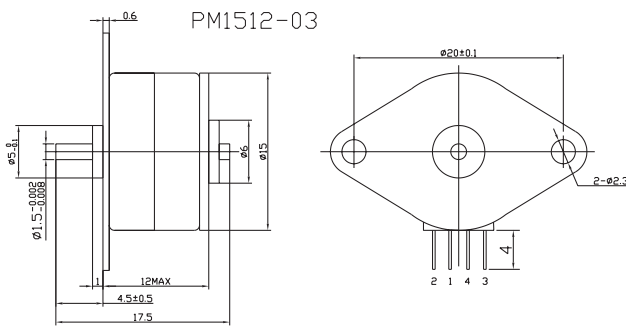
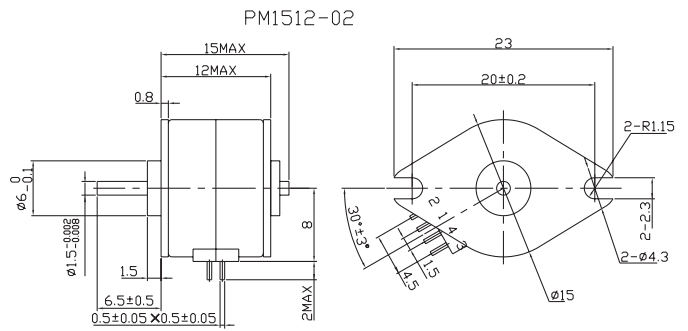
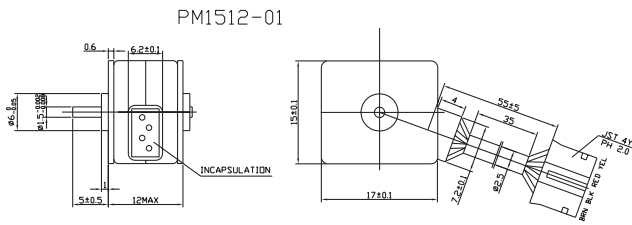
◆ SPECIFICATIONS:

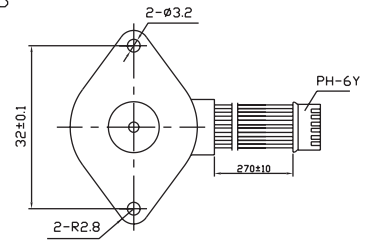
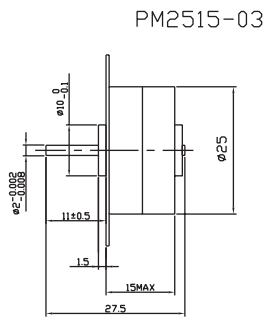
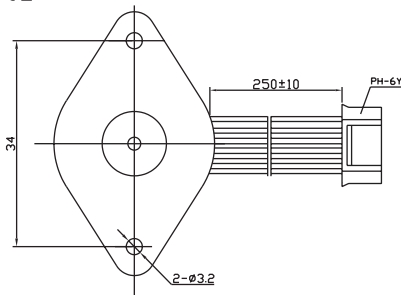
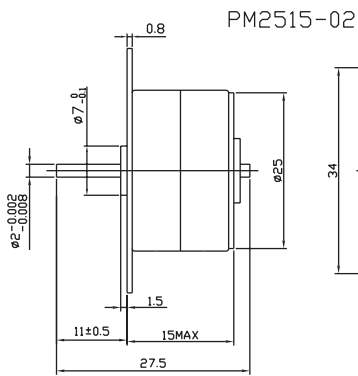
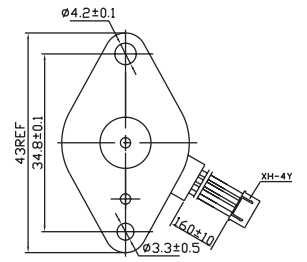
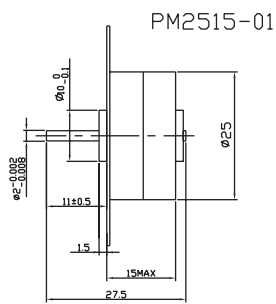
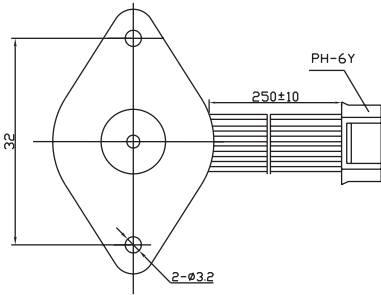
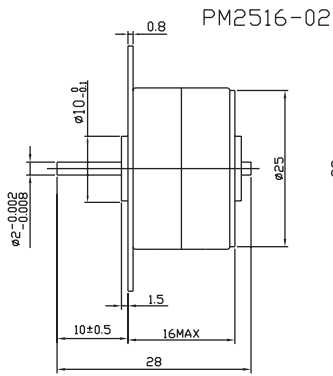
Model	Step Angle (Deg.)	No. of Phase	Voltage (V)	Current /Phase (A)	Resistance /Phase (ohms)	Holding Torque (g.cm)	Detent Torque (g.cm)	Rotor Inertia (g.cm ²)	Wire Diagram
PM1512-01	18	2	12	0.04	300	40	10	<1	A
PM1512-02	18	2	5	0.5	10	27	6		
PM1512-03	18	2	12	0.065	19	40	10		
PM2018-01	18	4	12	0.24	50	80	25		B
PM2018-02	18	2	5	0.5	10	60	20		A
PM2516-01	15	4	9	0.45	20	140	75		B
PM2516-02	15	4	12	0.4	30	130	75		B
PM2515-01	7.5	2	12	0.24	50	170	45		A
PM2515-02	7.5	4	12	0.25	50	160	35		B
PM2515-03	7.5	4	5	0.5	10	120	45		B
PM2515-04	7.5	2	5	0.5	10	110	40		A

◆ WIRING DIAGRAM:



◆ DIMENSIONS:





PM2515-04

