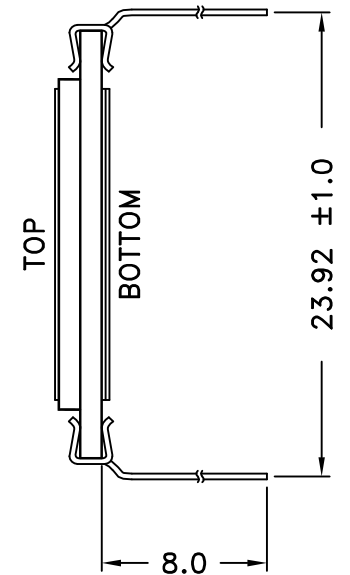


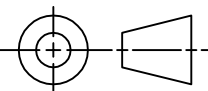
Zebra type



Pin type

MECHANICAL TOL. ±0.2 UNLESS SPECIFIED

APPROVAL	COUNTER DRAWING	CUSTOMER REF.	REV.	DATE
COMPANY NAME	STANDARD		00	21-NOV-03
APPROVED BY		SHEET 1 OF 2		
DATE		SCALE 5 : 2		

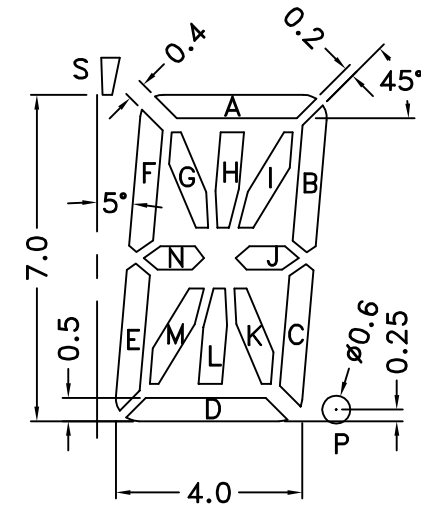


PROJECTION

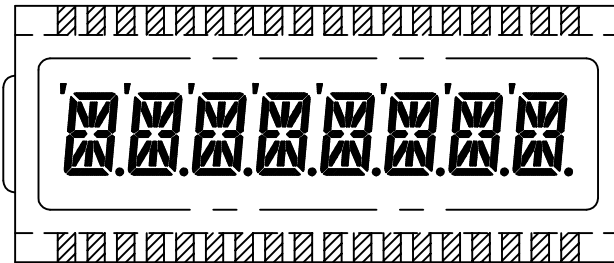
S5038

APPROVAL	DRAFTING	CUSTOMER-SERVICE	ENGINEERING
APPROVED BY			
DATE			
DRAWN BY : BEN		UNIT IN mm	OUR REF. 00
CLOVER DISPLAY LIMITED			

PIN	1	2	3	4	5	6	7	8	9	10	11	12	13	14	15	16	17	18
COM1	1D	1K	2D	2K	3D	3K	4D	4K	5D	5K	6D	6K	7D	7K	8D	8K	COM1	/
COM2	1E	1J	2E	2J	3E	3J	4E	4J	5E	5J	6E	6J	7E	7J	8E	8J	/	COM2
COM3	1F	1I	2F	2I	3F	3I	4F	4I	5F	5I	6F	6I	7F	7I	8F	8I	/	/
COM4	1S	1H	2S	2H	3S	3H	4S	4H	5S	5H	6S	6H	7S	7H	8S	8H	/	/
PIN	19	20	21	22	23	24	25	26	27	28	29	30	31	32	33	34	35	36
COM1	/	/	8P	8L	7P	7L	6P	6L	5P	5L	4P	4L	3P	3L	2P	2L	1P	1L
COM2	/	/	8C	8M	7C	7M	6C	6M	5C	5M	4C	4M	3C	3M	2C	2M	1C	1M
COM3	COM3	/	8B	8N	7B	7N	6B	6N	5B	5N	4B	4N	3B	3N	2B	2N	1B	1N
COM4	/	COM4	8A	8G	7A	7G	6A	6G	5A	5G	4A	4G	3A	3G	2A	2G	1A	1G



SCALE 8 : 1



TN TYPE

MODEL NO.	S5038A	S5038B	S5038C	S5038D	S5038E	S5038F	S5038G	S5038H
VIEWING DIRECTION	6 O'CLOCK	6 O'CLOCK	6 O'CLOCK	6 O'CLOCK	12 O'CLOCK	12 O'CLOCK	12 O'CLOCK	12 O'CLOCK
TEMPERATURE RANGE	OPERATE	0°C ~ 50°C	-20°C ~ 70°C	0°C ~ 50°C	-20°C ~ 70°C	0°C ~ 50°C	-20°C ~ 70°C	0°C ~ 50°C
	STORAGE	-10°C ~ 60°C	-30°C ~ 80°C	-10°C ~ 60°C	-30°C ~ 80°C	-10°C ~ 60°C	-30°C ~ 80°C	-10°C ~ 60°C
CONNECTOR	ZEBRA	ZEBRA	PIN	PIN	ZEBRA	ZEBRA	PIN	PIN

DISPLAY TYPE	POSITIVE / NEGATIVE
	REFLECTIVE / TRANFLECTIVE / TRANSMISSIVE
OPERATION VOLTAGE	3.0 V
DRIVING METHOD	1/4 DUTY , 1/3 BIAS

REV.	REVISION RECORD	DATE	STANDARD	 PROJECTION	APPROVAL	DRAFTING	CUSTOMER-SERVICE	ENGINEERING
00	1st ISSUE	21-NOV-03	CUSTOMER REF.		APPROVED BY			
				DATE				
			SHEET 2 OF 2	DRAWN BY : BEN		UNIT IN mm	OUR REF. 00	
			SCALE NTS	S5038	CLOVER DISPLAY LIMITED			