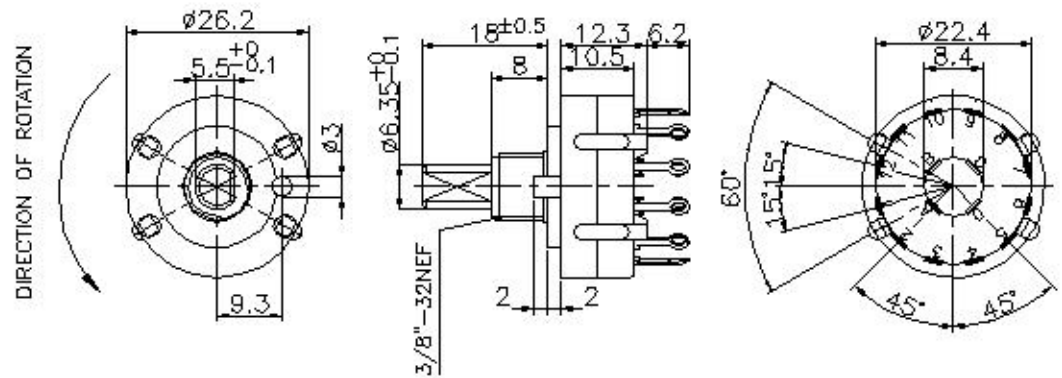
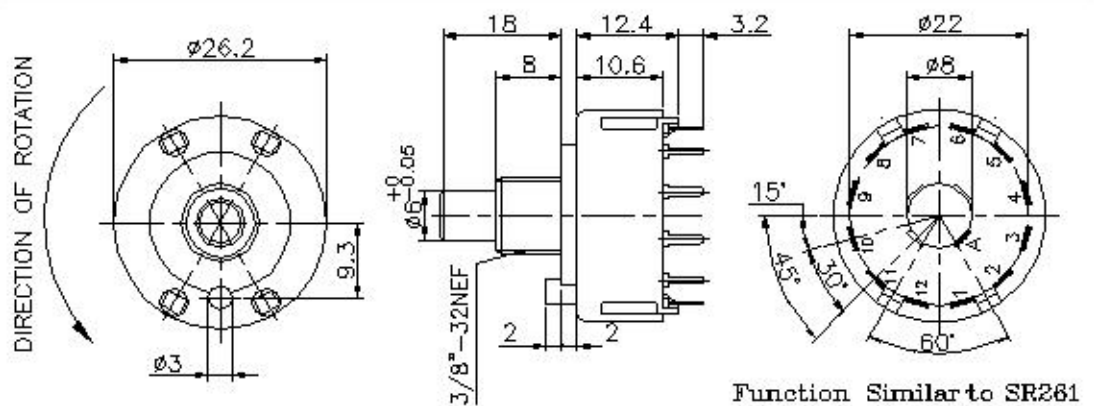




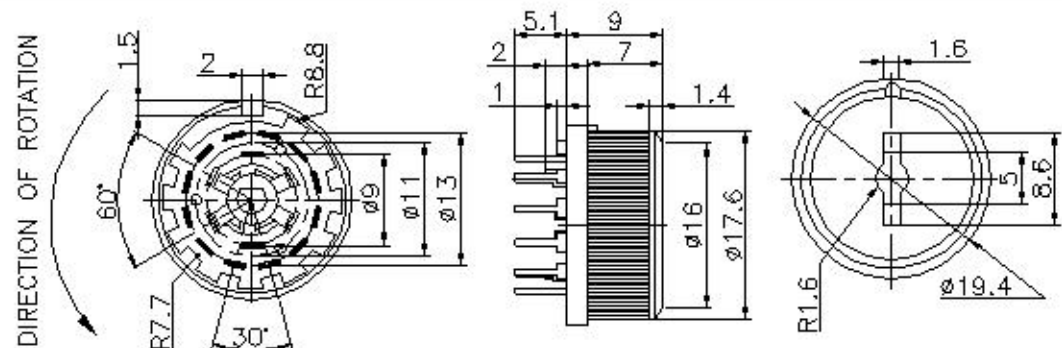
SR261



SR262



SR202



SR261 SPECIFICATION

L=8,15,18,21,29,38

ORDER NO. SW.FUNCTION

SR-2611 0102 SP 2 POS.

SR-2611 0103 SP 3 POS.

SR-2611 0104 SP 4 POS.

SR-2611 0105 SP 5 POS.

SR-2611 0106 SP 6 POS.

SR-2611 0107 SP 7 POS.

SR-2611 0108 SP 8 POS.

SR-2611 0109 SP 9 POS.

SR-2611 0110 SP 10 POS.

SR-2611 0111 SP 11 POS.

SR-2611 0112 SP 12 POS.

Rating:AC 125V 0.3A

Timing:Shorting or Non-Shorting

ORDER NO.

SR-2611

0202

SR-2611

0203

SR-2611

0204

SR-2611

0205

SR-2611

0206

SR-2611

0302

SR-2611

0303

SR-2611

0304

SR-2611

0402

SR-2611

0403

SR202 SPECIFICATION

Electrical Rating:

Load Rating:AC 150V 130mA MAX

Contact $\leq 25 \text{ m}\Omega$ INITIALResistance: $\leq 50 \text{ m}\Omega$ after 15000 cyclesInsulation Resistance:DC 500V 1K Meg Ω Min.Dielectric Strength: \geq AC 1KV 1Minute

Timing:Break Before Make

Mechanical Characteristics:

Operation force:2-4 N-M

Rotation: 30° /step

Lift:2000 cycles Min