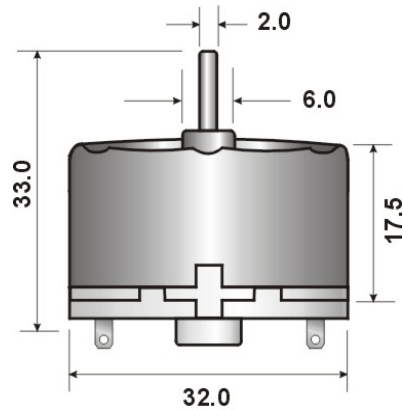




SRE500C – 12560 – 32SV – 01 16D3C

CHARACTERISTICS		
Voltage	1.5 TO 9V DC	
No load @ 6V	Current	0.021A
	Speed	2,790rpm
At Max. efficiency @ 6V	Current	0.084A
	Torque	12.9g.cm
	Speed	2,234rpm
Maximum load @ 6V	Current	0.180A
	Torque	32.5g.cm
	Speed	1,395rpm
Shaft diameter	2.0mm	



APPLICATIONS
<ul style="list-style-type: none"> • Audio & video cassette recorders • Toys

NOTES
<ol style="list-style-type: none"> 1. These specifications are subject to change without notice. 2. Red dot indicates positive terminal 3. Unit mounts on two M3 holes, 25mm apart.