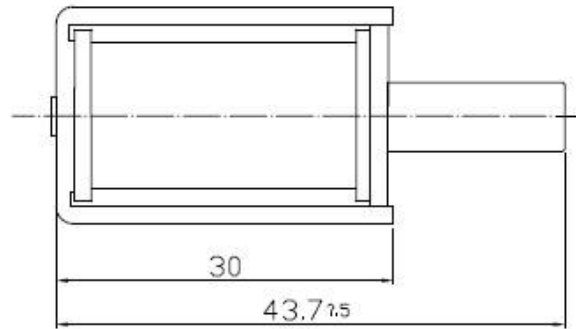
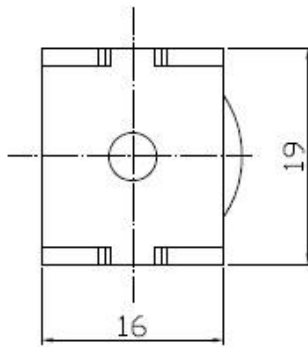
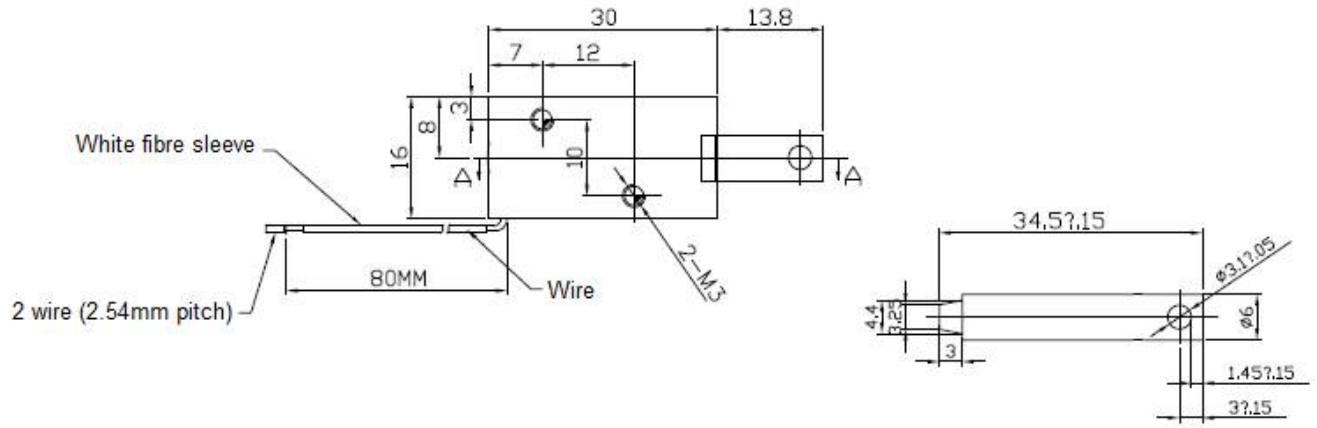


未注公差	?.2	修订日期	修 订 内 容	版次
	?/2°			
表面粗糙度	——			
投影法				



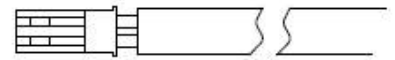
SOLENOID With power ON

units: mm

Spec:

1. operating Voltage 12VDC
2. max current 1A
3. DC resistance 12Ω / t20°C
4. srlength / stroke: 5mm / 80gf

Red 1  
Black 2



UL1007 24G Red/Black, tensile strength > 1.8kg.  
Lead length = 80mm, fibre tube = 60mm

Brand Name	Iron Core DC12V	Material Quality	——	Edition Book	A0
Model	0630L12CZ12-05D	Surface treatment	——	Date	12.05.15
Generation	H22-100-031	Heat treatment	——	Drawing example	1.5 : 1
Approved	审核	制图	<h1>Zhongxinling Technology</h1>		