

10FF- 3Z- C3

RELAY SOCKET



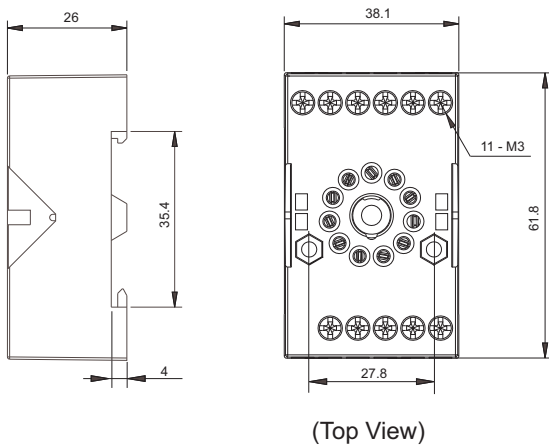
CHARACTERISTICS

Ambient temperature :	-40 °C to 70°C
Rated voltage :	250VAC
Rated current :	10A (per pole)
Dielectric strength(Min.) :	2000VAC
Retainer :	non-available
White plastic tag :	non-available
Modules :	non-available
Stew torque :	0.6 Nm
Wire strip length :	7mm
Max. wire range :	1x4 / 2x2.5mm ²
Applicable relay type:	HF10FF (3 poles) HF10FH (3 poles)

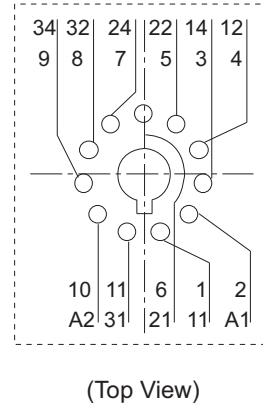
DIMENSIONS, PC BOARD LAYOUT AND WIRING DIAGRAM

Unit: mm

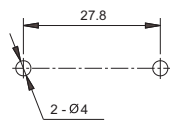
Outline Dimensions



Wiring Diagram



PCB Layout



HONGFA RELAY
ISO9001, ISO/TS16949, ISO14001, OHSAS18001, IECQ QC 080000 CERTIFIED

2008 Rev. 1.00