

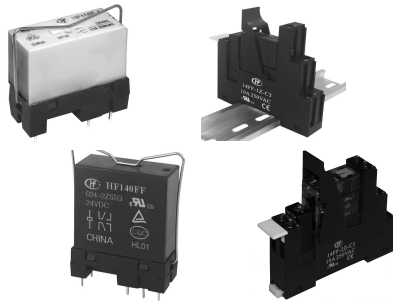
# 14FF Sockets

# RELAY SOCKETS

CE

cULus

File No.: E253370



### Features

- The dielectric strength can reach 5000VAC(I/O) and the insulation resistance is 1000 MΩ
- Three mounting types are available: PCB, screw mounting and DIN rail mounting.
- With finger protection device
- Many kinds of plug-in modules are available with the function of energizing indication and wiring protection
- Applicable relay types: HF115F/115F-A/115FP, HF14FF/14FW/140FF/141FF

### ORDERING INFORMATION

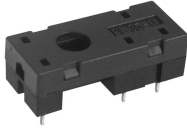
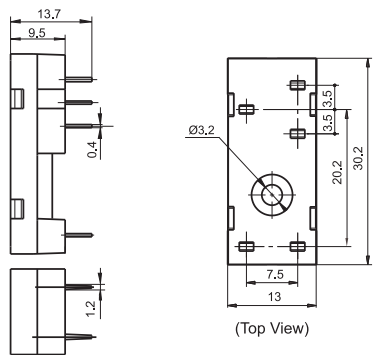
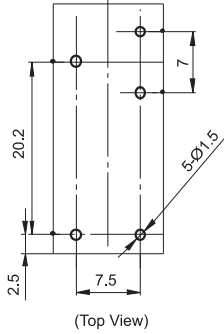
Type	14FF	-1Z	-C2
Contact arrangement	1Z: 1 Form C    2Z: 2 Form C		
Termination&mounting	<b>A1:</b> PCB terminal,PCB or Screw mounting <b>C2,C3:</b> Screw terminal,DIN rail or Screw mounting,With finger protection device <b>C4:</b> Screwless terminal,DIN rail mounting,With finger protection device		

### CHARACTERISTICS

Type	Nominal Voltage	Nominal Current	Ambient Temperature	Dielectric Strength min.	Screw Torque	Wire Strip Length	Unit weight
14FF-1Z-A1	250VAC	10A	-40 °C to 70 °C	5000VAC	---	---	Approx. 3g
14FF-1Z-C2	250VAC	10A	-40 °C to 70 °C	4000VAC	0.6N·m	7mm	Approx. 33g
14FF-1Z-C3	250VAC	10A	-40 °C to 70 °C	5000VAC	0.6N·m	7mm	Approx. 39g
14FF-2Z-A1	250VAC	10A	-40 °C to 70 °C	5000VAC	---	---	Approx. 3g
14FF-2Z-C2	250VAC	10A	-40 °C to 70 °C	4000VAC	0.6N·m	7mm	Approx.39g
14FF-2Z-C3	250VAC	10A	-40 °C to 70 °C	5000VAC	0.6N·m	7mm	Approx.45g
14FF-2Z-C4	250VAC	10A	-40 °C to 70 °C	5000VAC	---	9mm	Approx.42g

### OUTLINE DIMENSIONS, WIRING DIAGRAM AND PC BOARD LAYOUT

Unit: mm

Socket	Outline Dimensions	Wiring Diagram / PCB Layout	Accessory Available
14FF-1Z-A1    PCB terminal, PCB or Screw mounting Applicable for HF14FF/141FF	 <p>(Top View)</p>	 <p>(Top View)</p>	*metallic retainer 14FF-H2 Notes:When the socket is fitted with 14FF-H2 retainer, the withstands voltage is 1500VAC.




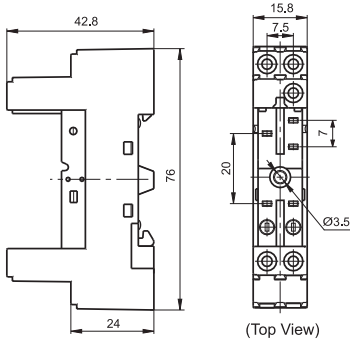
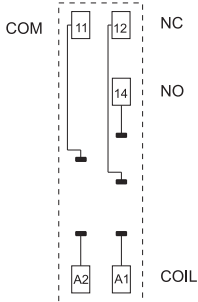

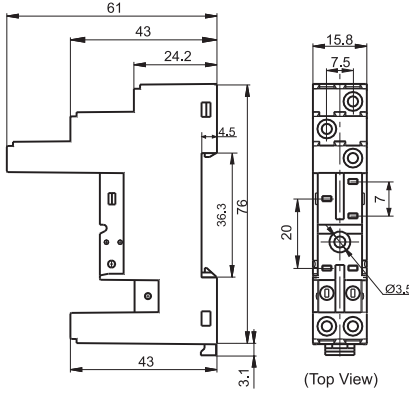
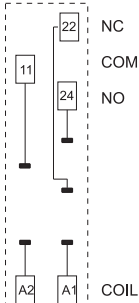
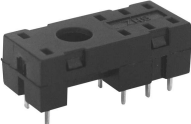
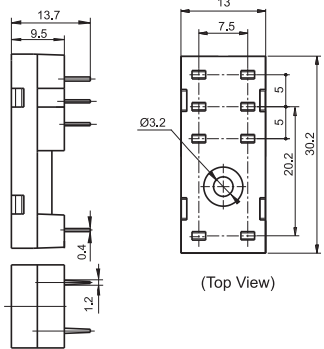
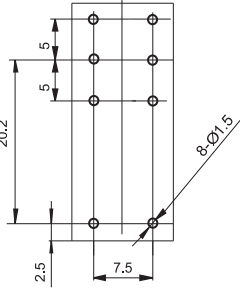

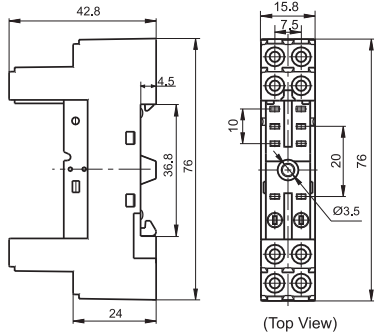
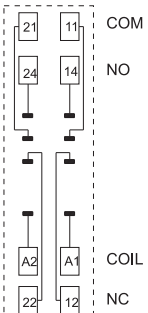
HONGFA RELAY

ISO9001, ISO/TS16949, ISO14001, OHSAS18001, IECQ QC 080000 CERTIFIED

2019 Rev. 1.10


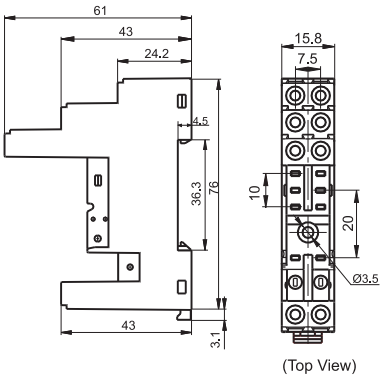
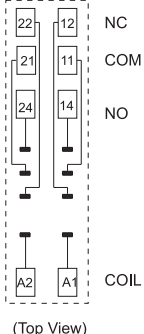

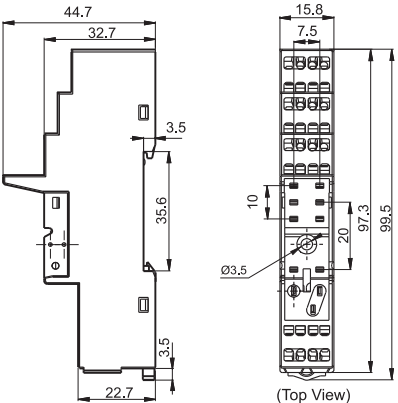
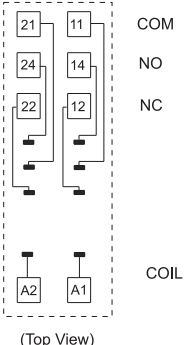
# OUTLINE DIMENSIONS, WIRING DIAGRAM AND PC BOARD LAYOUT

Unit: mm

Socket	Outline Dimensions	Wiring Diagram / PCB Layout	Accessory Available
<p><b>14FF-1Z-C2</b></p>  <p>Screw terminal, PCB or Screw mounting With finger protection device Applicable for HF14FF/141FF</p>	 <p>(Top View)</p>	 <p>(Top View)</p>	<p>*plastic retainer 14FF-H6</p> <p>*plug-in module HFAA to HFHU</p> <p>marker 14FF-M1</p>
<p><b>14FF-1Z-C3</b></p>  <p>Screw Terminal, DIN rail or Screw mounting, With finger protection device Applicable for HF14FF/141FF</p>	 <p>(Top View)</p>	 <p>(Top View)</p>	<p>*plastic retainer 14FF-H6</p> <p>*plug-in module HFAA to HFHU</p> <p>marker 14FF-M1</p>
<p><b>14FF-2Z-A1</b></p>  <p>PCB terminal, PCB or Screw mounting</p> <p>When it used with HF115F、HF115F-A、HF115FP and relay type 3, two pole of socket load must connect in parallel.</p>	 <p>(Top View)</p>	 <p>(Top View)</p>	<p>*metallic retainer 14FF-H1/H3 remarks: the dielectric strength can reach 1500VAC that sockets mounted 14FF-H1/H3</p>
<p><b>14FF-2Z-C2</b></p>  <p>Screw Terminal, DIN rail or Screw mounting, With finger protection device</p> <p>When it used with HF115F、HF115F-A、HF115FP and relay type 3, "21"-11", "24"-14", "22"-12" of socket must connect in parallel.</p>	 <p>(Top View)</p>	 <p>(Top View)</p>	<p>*plastic retainer 14FF-H4/H6</p> <p>*marker 14FF-M1</p> <p>plug-in module HFAA to HFHU*</p>

# OUTLINE DIMENSIONS, WIRING DIAGRAM AND PC BOARD LAYOUT

Unit: mm

Socket	Outline Dimensions	Wiring Diagram / PCB Layout	Components Available
<p>14FF-2Z-C3</p>  <p>Screw Terminal, DIN rail or Screw mounting, With finger protection device When it used with HF115F、 HF115F-A、HF115FP and relay type 3, "21"-11", "24"-14", "22"-12" of socket must connect in parallel.</p>	 <p>(Top View)</p>	 <p>(Top View)</p>	<p>*plastic retainer: 14FF-H4/H6</p> <p>marker 14FF-M1</p> <p>plug-in module HFAA to HFHU*</p>
<p>14FF-2Z-C4</p>  <p>Spring-loaded terminal DIN rail mounting With finger protection device When it used with HF115F、 HF115F-A、HF115FP and relay type 3, "21"-11", "24"-14", "22"-12" of socket must connect in parallel.</p>	 <p>(Top View)</p>	 <p>(Top View)</p>	<p>*plastic retainer 14FF-H4/H6</p> <p>marker 14FF-M1</p> <p>plug-in module HFAA to HFHU*</p>

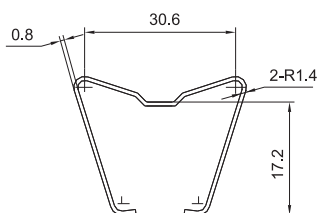
Notes: \* If need accessory, please order with type.

# DIMENSION OF RELATED ACCESSORY (TO BE ORDERED SEPARATELY)

Unit: mm

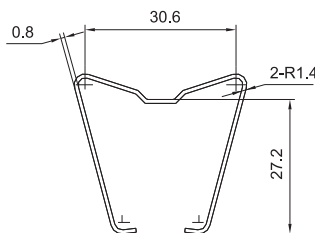
## Retainer

14FF-H1(metallic retainer)



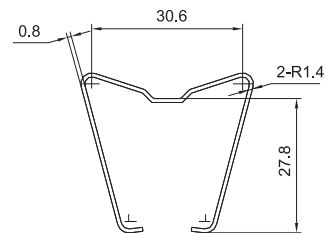
Remark: Applicable for HF115F/115F-A.

14FF-H2(metallic retainer)



Remark: Applicable for HF14FF.

14FF-H3(metallic retainer)

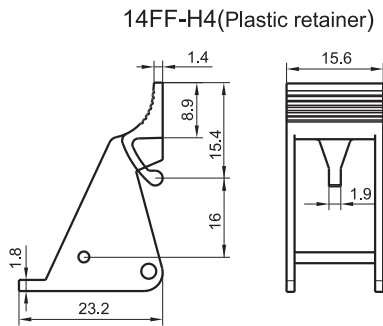


Remark: Applicable for HF115FP, HF14FW, HF140FF.

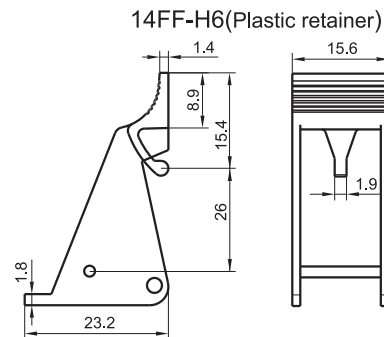
## DIMENSION OF RELATED ACCESSORY (TO BE ORDERED SEPARATELY)

Unit: mm

### Retainer



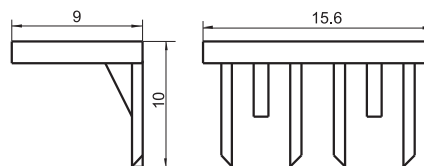
Remark: Applicable for HF115F/HF115F-A.



Remark: Applicable for HF115FP, HF14FF, HF14FW, HF140FF.

### Marker

#### 14FF-M1



#### Things to be noticed when selecting sockets:

1. Please choose suitable relay socket according to the actual mounting environment, relay contact poles and terminal layout. If there is any query on selection, please contact Hongfa for the technical service.
2. Socket which can be mounted with markers is furnished with a marker; If need markers, please order with type.
3. Main outline dimension(L, W, H)  $\geq 50$ mm, tolerance should be  $\pm 1$ mm; outline dimension  $> 20$ mm and  $< 50$ mm, tolerance should be  $\pm 0.5$ mm; outline dimension  $\leq 20$ mm, tolerance should be  $\pm 0.3$ mm.
4. DIN rail mounting: recommend to use standard rail  $35 \times 7.5 \times 1$ mm,  $35 \times 15 \times 1$ mm.

#### Disclaimer

The specification is for reference only. See to "Terminology and Guidelines" for more information. Specifications subject to change without notice. We could not evaluate all the performance and all the parameters for every possible application. Thus the user should be in a right position to choose the suitable product for their own application. If there is any query, please contact Hongfa for the technical service. However, it is the user's responsibility to determine which product should be used only.

© Xiamen Hongfa Electroacoustic Co., Ltd. All rights of Hongfa are reserved.