

PLEASE CHECK WWW.MOLEX.COM FOR LATEST PART INFORMATION

Part Number: [03-06-2061](#)
Status: **Active**
Overview: Standard .062"
Description: 1.57mm Diameter Standard .062" Pin and Socket Plug Housing, 6 Circuits, without Mounting Ears

Documents:

[3D Model](#) [Packaging Specification PK-1625-003 \(PDF\)](#)
[Drawing \(PDF\)](#) [RoHS Certificate of Compliance \(PDF\)](#)
[Product Specification PS-02-06 \(PDF\)](#)

Agency Certification

CSA	LR19980
TUV	R72081037
UL	E29179

General

Product Family	Crimp Housings
Series	<u>1625</u>
Application	Power, Wire-to-Wire
Comments	Polarized to Mating Part
Overview	<u>Standard .062"</u>
Product Name	Standard .062"

Physical

Breakaway	No
Circuits (maximum)	6
Circuits Detail	2x3
Color - Resin	Natural
Flammability	94V-2
Gender	Plug
Glow-Wire Compliant	No
Keying to Mating Part	None
Lock to Mating Part	Yes
Material - Resin	Nylon
Number of Rows	3
Packaging Type	Bag
Panel Mount	No
Pitch - Mating Interface	3.68mm
Pitch - Termination Interface	3.68mm
Polarized to Mating Part	Yes
Stackable	No
Temperature Range - Operating	-40°C to +105°C

Electrical

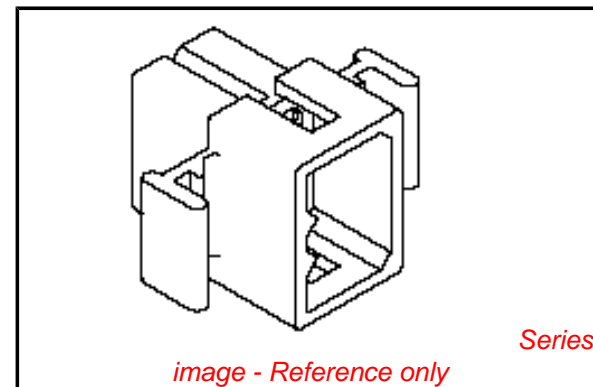
Current - Maximum per Contact	5A
-------------------------------	----

Material Info

Old Part Number	1625-6P1
-----------------	----------

Reference - Drawing Numbers

Packaging Specification	PK-1625-003
Product Specification	PS-02-06
Sales Drawing	SD-1625-6*



EU RoHS

ELV and RoHS Compliant

REACH SVHC

Contains SVHC: No Low-Halogen Status Low-Halogen

China RoHS



Need more information on product environmental compliance?

Email productcompliance@molex.com
 For a multiple part number RoHS Certificate of Compliance, [click here](#)

Please visit the [Contact Us](#) section for any non-product compliance questions.

Search Parts in this Series

[1625Series](#)

Mates With

[1625 Receptacle](#)

Use With

Female Crimp Terminals [1561](#) , [4559](#) , [4529](#) , [2190](#) , [2189](#) , [1787](#) , [1855](#) . Male Crimp Terminals [1560](#) , [1786](#) , [1854](#) . [1778](#) Male PC Tail Terminals. [1779](#) Female PC Tail Terminals

This document was generated on 04/30/2012

PLEASE CHECK WWW.MOLEX.COM FOR LATEST PART INFORMATION