

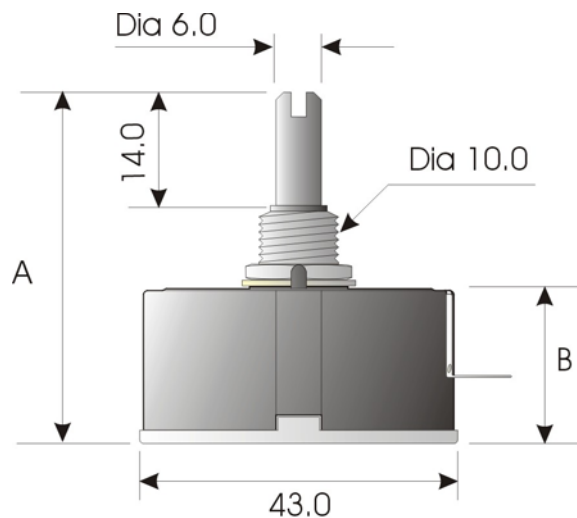


**MANTECH
ELECTRONICS**

SERIES 28

**WIRE WOUND
POTENTIOMETERS / RHEOSTATS**

CHARACTERISTICS	
POWER RATING	3W and 5W
RESISTANCE	10Ω to 50KΩ
RESISTANCE CURVE	Linear
BREAKDOWN VOLTAGE	320VAC, 450VDC
ROTATION ANGLE	+/- 300 °



APPLICATIONS
<ul style="list-style-type: none"> Power supplies Speaker networks

	3W	5W
A	45.5mm	51.0mm
B	20.0mm	24.5mm

NOTES	
1.	Knobs available as an option.
2.	Other variations, values & powers available.
3.	Dual gang potentiometers also available

These specifications are subject to change without notice.

sales@mantech.co.za

www.mantech.co.za

A MOBICON COMPANY