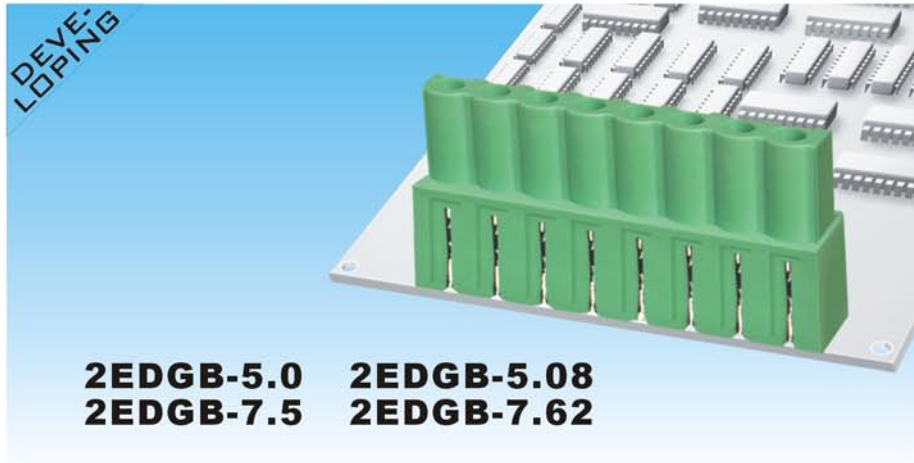


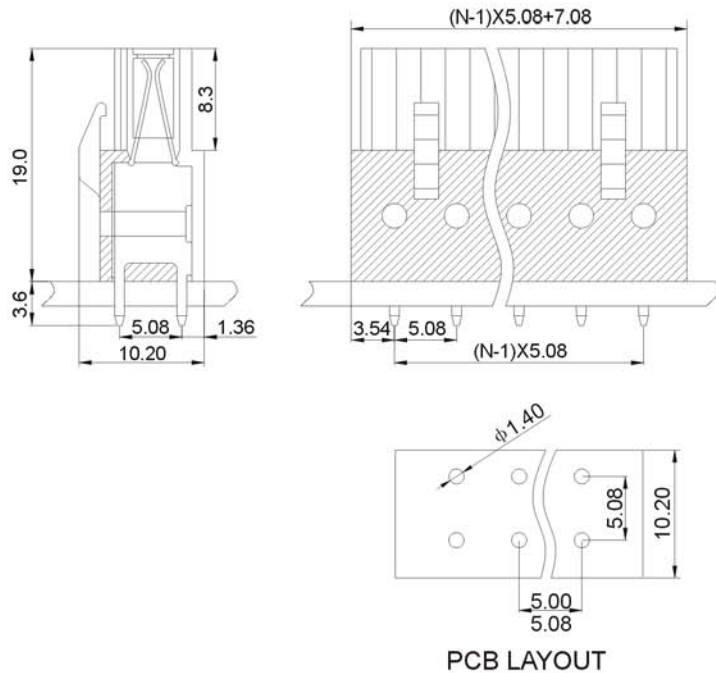


DEGSON ELECTRONICS CO., LTD.

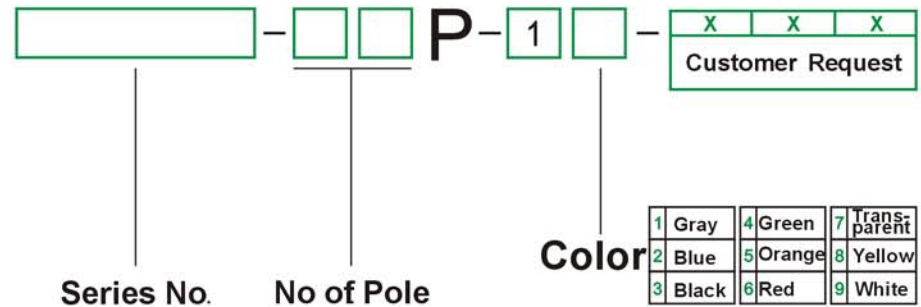
Product Specification



Material	
Contact :	Phosphor bronze
Housing :	PA66, UL94V-0
Electrical	
Rated voltage :	300V
Rated current :	15A
Contact resistance :	20mΩ
Insulation resistance :	5000MΩ /DC 1000V
Withstanding voltage:	AC2000V/1Min
Mechanical	
Temp. Range :	-40°C~+105°C



HOW TO ORDER:



	DEGSON ELECTRONICS CO., LTD.
	NAME 2EDGB-5.0 2EDGB-5.08 2EDGB-7.5 2EDGB-7.62