

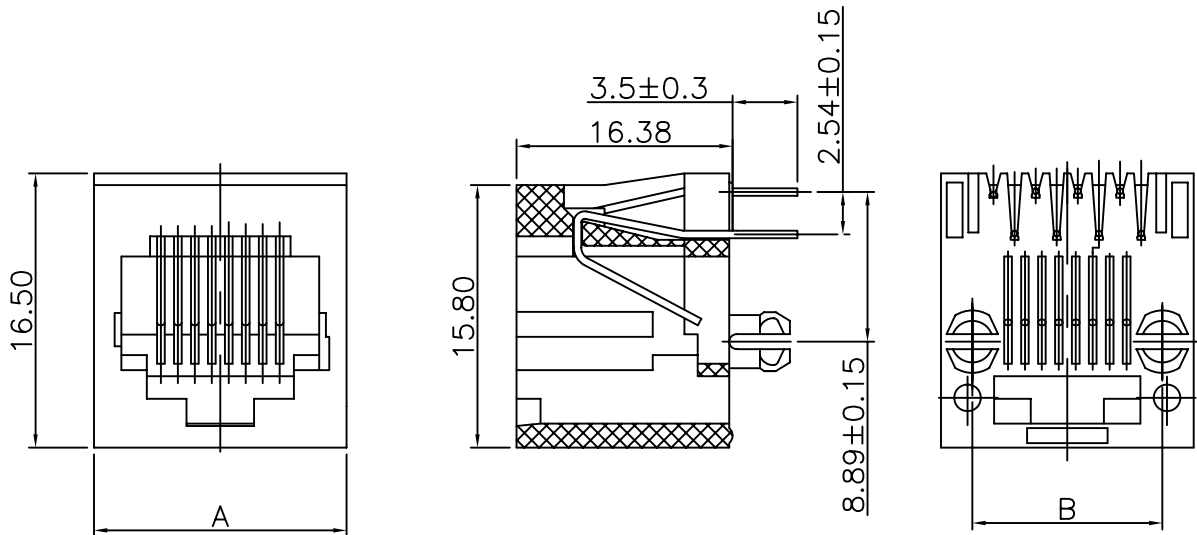
1

2

3

4

5



Specifications:

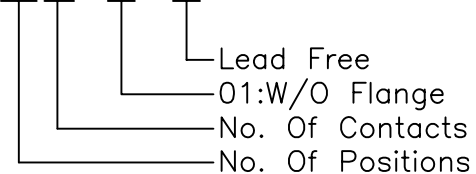
Current Rating:1.5A AC/DC
 Voltage Rating:125V AC/DC
 Contact Resistance:20m ohm Max.
 Insulation Resistance:500 ohm Min.
 Withstanding Voltage:1,000/minute
 Temperature range:-40°C to +85°C

Material and Finish:

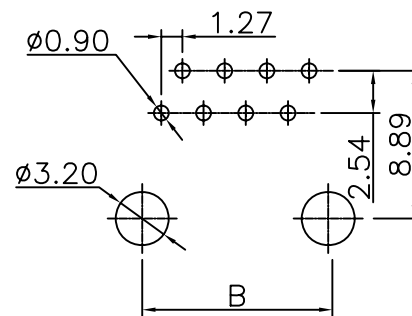
Insulator:PBT (UL94V-0),Black
 Contact:Copper Alloy
 Contact:Selective Gold Plated

How To Order

7006-XPXC-01-F1



| Pos | CONTACT | A | B |
|-----|----------|-------|-------|
| 4P | 4C | 11.43 | 7.62 |
| 6P | 2C/4C/6C | 13.45 | 10.16 |
| 8P | 8C | 15.3 | 11.43 |



PCB Layout

RoHS Compliant

| REV | DATE | FILE | BY |
|-----|-------------|----------|-------|
| A | 13-May-2008 | (PC0162) | P.D.J |

| |
|------------------------|
| DRAWN: P.D.J |
| CHECKED: Jeremy Liu |
| APPROVAL: Mike Wu |

| |
|--|
| GENERAL TOLERANCE: .X=±0.2 .XX=±0.15 |
| UNIT: mm |
| SCALE: |
| SHEET: 1 / 1 |
| PROJECTION: |

| | |
|--|-------------------|
| 繼德工業股份有限公司 Neltron Industrial Co., Ltd. | |
| DESCRIPTION: Top Entry Split Pegs Round Contacts PCB Jack | SIZE A4 |
| PART NO: 7006-XPXC-01-F1 | |

A

B

C

D