

# 7136DG

TO-220, TO-220-single gauge (0.020")



Channel style heat sink featuring integrated mounting clip

This non-electronic component is functionally unaffected by the normal soldering or reflow processes used for semiconductor circuits. The heat resistance time or heat resistance temperature is not applicable for the component.

**Cross Reference:** NULL

**Height:** 24.13

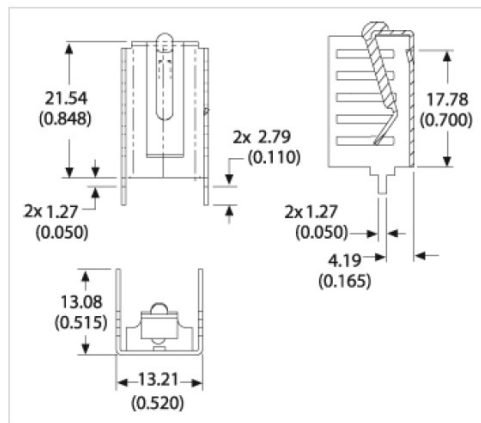
**Mount Orientation:** Vertical

**Finish:** Tin Plated

**RoHS:** compliant

[Download PCN](#)

**Thermal Resistance:** 19.70



X Dim: 6.30 (0.248) | Y Dim: 4.83 (0.190) | Z Dim: 2.54 (0.100)

