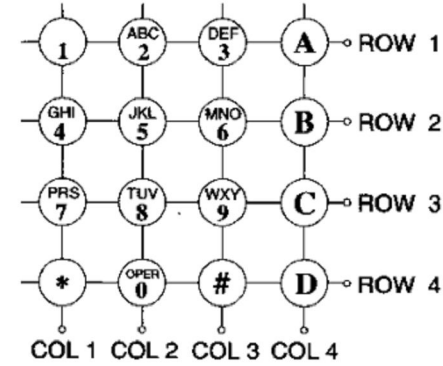


ACCORD

ACCORD CO., LTD.

CIRCUIT DIAGRAM



AK-1604

OUTPUT ARRANGEMENT	
OUTPUT PIN NO.	SYMBOL
1	COL 1
2	COL 2
3	COL 3
4	COL 4
5	ROW 1
6	ROW 2
7	ROW 3
8	ROW 4



AK-1607-A-WWB-WP



AK-1607-N-BBW-WP

