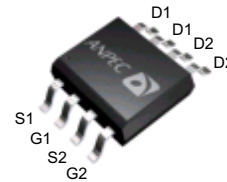


Dual N-Channel Enhancement Mode MOSFET

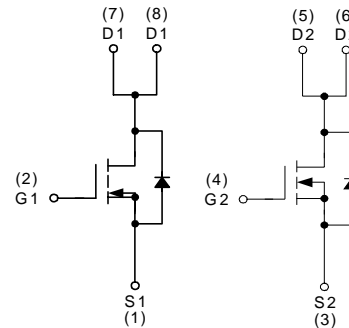
Features

- 60V/3A,
 $R_{DS(ON)} = 100m\Omega(\text{typ.}) @ V_{GS} = 10V$
 $R_{DS(ON)} = 120m\Omega(\text{typ.}) @ V_{GS} = 4.5V$
- Super High Dense Cell Design
- Reliable and Rugged
- Lead Free Available (RoHS Compliant)

Pin Description



SOP – 8



N-Channel MOSFET

Applications

- Power Management in Desktop or DC/DC Converters

Ordering and Marking Information

| | |
|--|---|
| <p>APM9945 □□-□□□</p> <ul style="list-style-type: none"> Lead Free Code Handling Code Temp. Range Package Code | <p>Package Code K : SOP-8</p> <p>Operating Junction Temp. Range C : -55 to 150°C</p> <p>Handling Code TU : Tube TR : Tape & Reel</p> <p>Lead Free Code L : Lead Free Device Blank : Original Device</p> |
| <p>APM9945 K : APM9945 XXXXX</p> | <p>XXXXX - Date Code</p> |

Note: ANPEC lead-free products contain molding compounds/die attach materials and 100% matte in plate termination finish; which are fully compliant with RoHS and compatible with both SnPb and lead-free soldering operations. ANPEC lead-free products meet or exceed the lead-free requirements of IPC/JEDEC J STD-020C for MSL classification at lead-free peak reflow temperature.

ANPEC reserves the right to make changes to improve reliability or manufacturability without notice, and advise customers to obtain the latest version of relevant information to verify before placing orders.

Absolute Maximum Ratings ($T_A = 25^\circ\text{C}$ unless otherwise noted)

| Symbol | Parameter | Rating | Unit | |
|-------------------|--|-------------------------|--------------------|----|
| V_{DSS} | Drain-Source Voltage | 60 | V | |
| V_{GSS} | Gate-Source Voltage | ± 20 | | |
| I_D^* | Continuous Drain Current | 3 | A | |
| I_{DM}^* | Pulsed Drain Current | | | 20 |
| I_S^* | Diode Continuous Forward Current | 3 | A | |
| T_J | Maximum Junction Temperature | 150 | $^\circ\text{C}$ | |
| T_{STG} | Storage Temperature Range | -55 to 150 | | |
| P_D^* | Power Dissipation for Single Operation | $T_A=25^\circ\text{C}$ | 2 | W |
| | | $T_A=100^\circ\text{C}$ | 0.8 | |
| $R_{\theta JA}^*$ | Thermal Resistance-Junction to Ambient | 62.5 | $^\circ\text{C/W}$ | |

Note:

*Surface Mounted on 1in² pad area, $t \leq 10\text{sec}$.

Electrical Characteristics ($T_A = 25^\circ\text{C}$ unless otherwise noted)

| Symbol | Parameter | Test Condition | APM9945K | | | Unit |
|--|----------------------------------|---|----------|------|-----------|---------------|
| | | | Min. | Typ. | Max. | |
| Static Characteristics | | | | | | |
| BV_{DSS} | Drain-Source Breakdown Voltage | $V_{GS}=0V, I_{DS}=250\mu\text{A}$ | 60 | | | V |
| I_{DSS} | Zero Gate Voltage Drain Current | $V_{DS}=48V, V_{GS}=0V$ | | | 1 | μA |
| $V_{GS(th)}$ | Gate Threshold Voltage | $V_{DS}=V_{GS}, I_{DS}=250\mu\text{A}$ | 1 | 2 | 3 | V |
| I_{GSS} | Gate Leakage Current | $V_{GS}=\pm 20V, V_{DS}=0V$ | | | ± 100 | nA |
| $R_{DS(ON)}^a$ | Drain-Source On-state Resistance | $V_{GS}=10V, I_{DS}=3A$ | | 100 | 135 | m Ω |
| | | $V_{GS}=4.5V, I_{DS}=2A$ | | 120 | 160 | |
| V_{SD}^a | Diode Forward Voltage | $I_{SD}=3A, V_{GS}=0V$ | | 0.8 | 1.3 | V |
| Dynamic Characteristics^b | | | | | | |
| R_G | Gate Resistance | $V_{GS}=0V, V_{DS}=0V, F=1\text{MHz}$ | | 3.4 | | Ω |
| C_{iss} | Input Capacitance | $V_{GS}=0V,$ $V_{DS}=25V,$ Frequency=1.0MHz | | 390 | | pF |
| C_{oss} | Output Capacitance | | | 75 | | |
| C_{rss} | Reverse Transfer Capacitance | | | 20 | | |
| $t_{d(ON)}$ | Turn-on Delay Time | $V_{DD}=15V, R_L=10\Omega,$ $I_{DS}=1A, V_{GEN}=10V,$ $R_G=6\Omega$ | | 8 | 18 | ns |
| T_r | Turn-on Rise Time | | | 9 | 20 | |
| $t_{d(OFF)}$ | Turn-off Delay Time | | | 20 | 40 | |
| T_f | Turn-off Fall Time | | | 8 | 20 | |

Electrical Characteristics (Cont.) ($T_A = 25^\circ\text{C}$ unless otherwise noted)

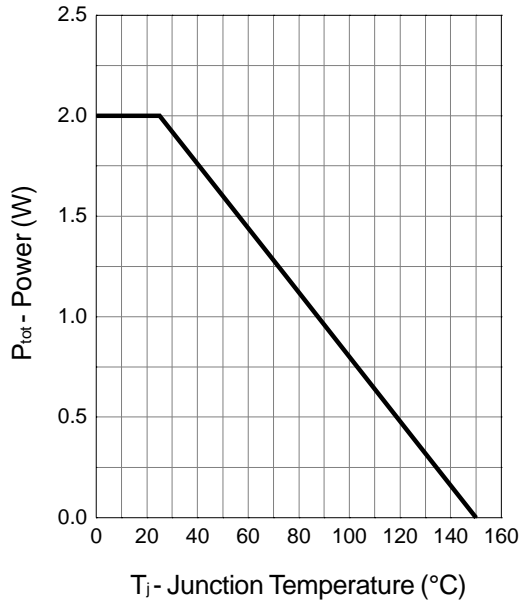
| Symbol | Parameter | Test Condition | APM9945K | | | Unit |
|--|--------------------|---|----------|------|------|------|
| | | | Min. | Typ. | Max. | |
| Gate Charge Characteristics^b | | | | | | |
| Q_g | Total Gate Charge | $V_{DS}=15\text{V}, V_{GS}=10\text{V},$ $I_{DS}=3\text{A}$ | | 20 | 26 | nC |
| Q_{gs} | Gate-Source Charge | | | 5 | | |
| Q_{gd} | Gate-Drain Charge | | | 5 | | |

Notes:

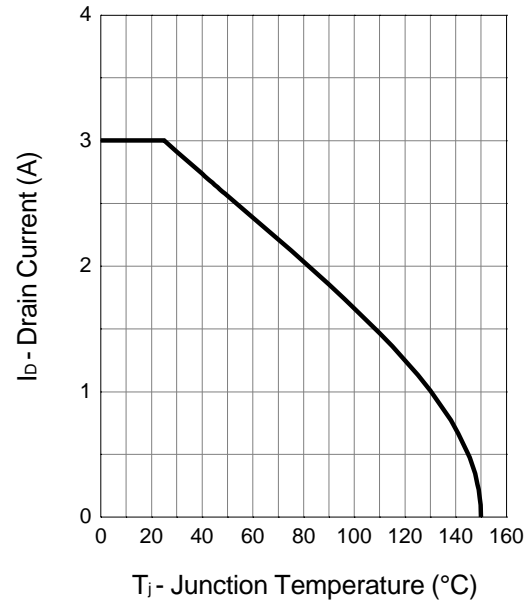
- a : Pulse test ; pulse width $\leq 300\mu\text{s}$, duty cycle $\leq 2\%$.
- b : Guaranteed by design, not subject to production testing.

Typical Characteristics

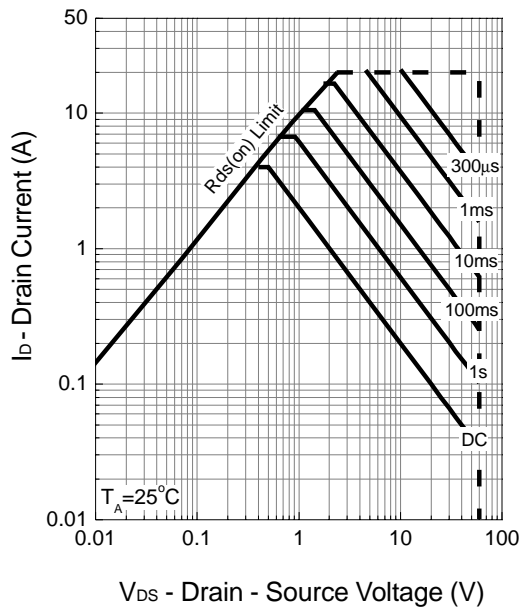
Power Dissipation



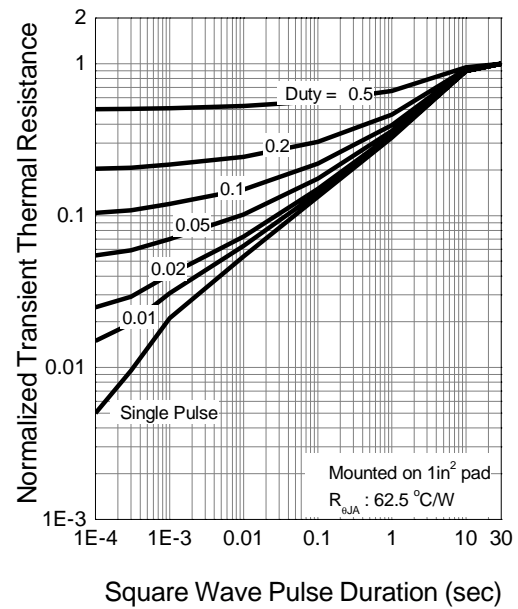
Drain Current



Safe Operation Area

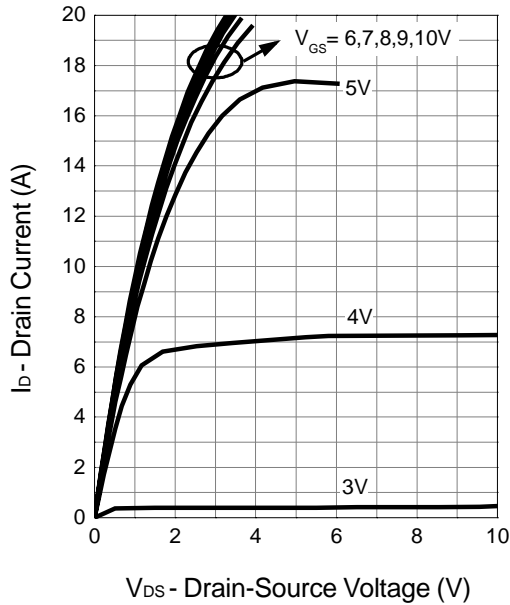


Thermal Transient Impedance

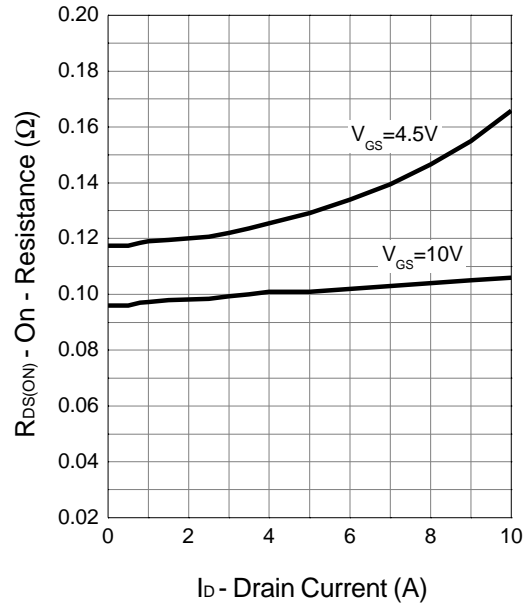


Typical Characteristics (Cont.)

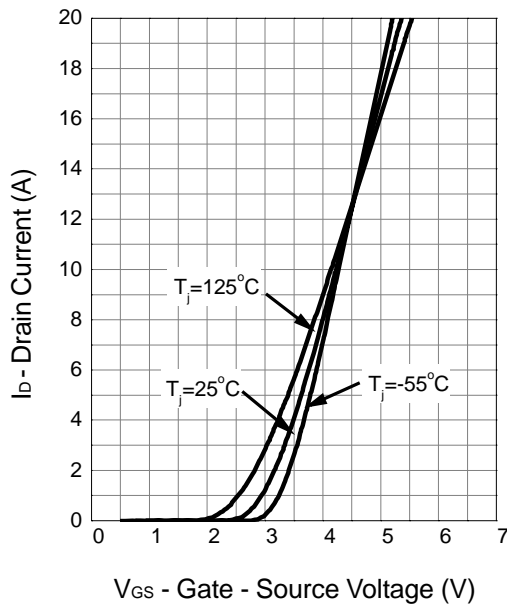
Output Characteristics



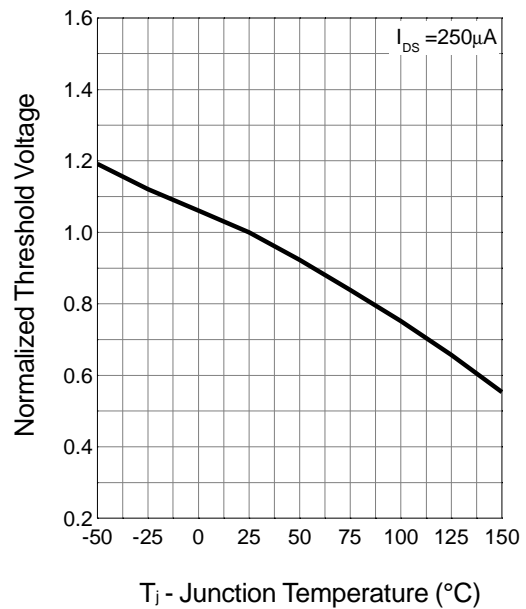
Drain-Source On Resistance



Transfer Characteristics

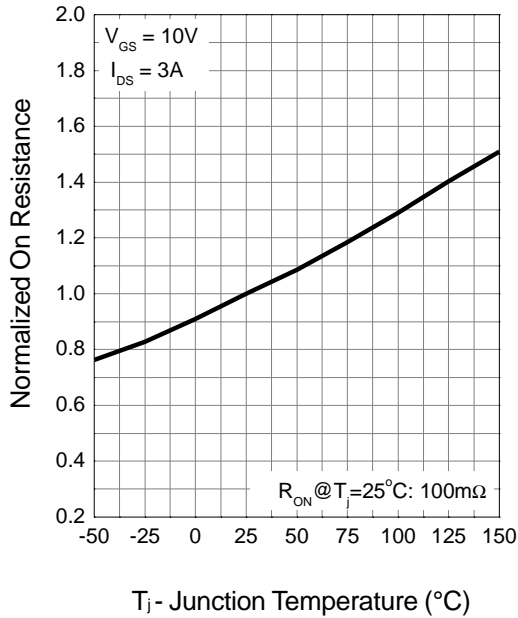


Gate Threshold Voltage

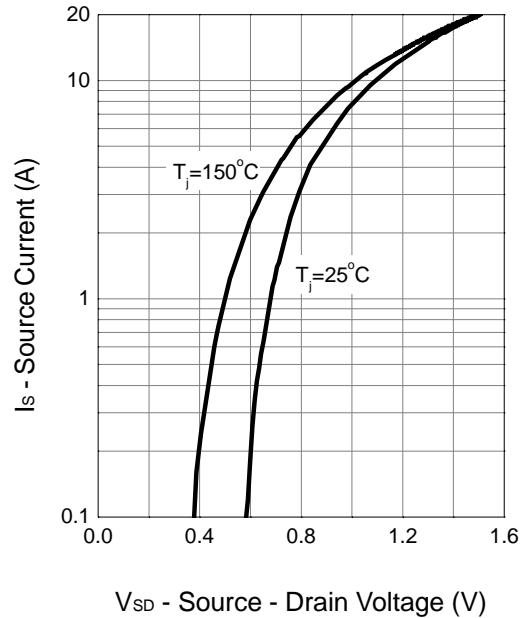


Typical Characteristics (Cont.)

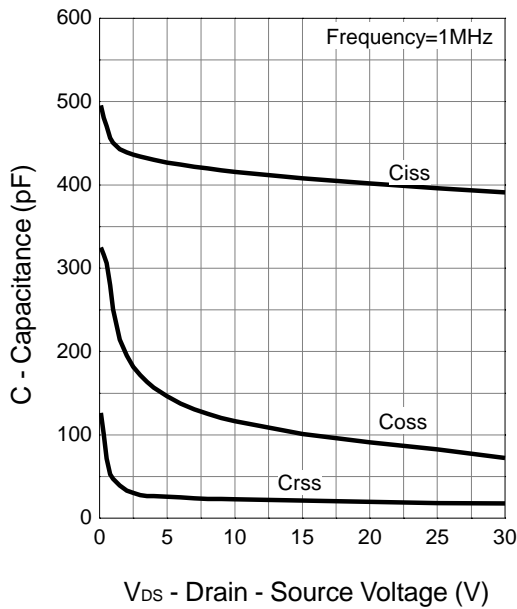
Drain-Source On Resistance



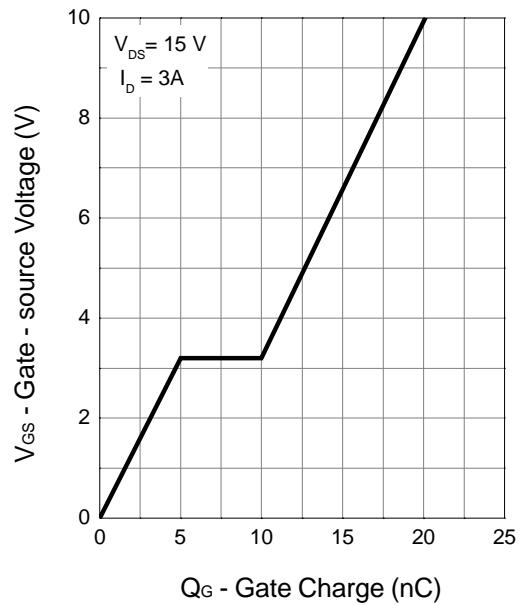
Source-Drain Diode Forward



Capacitance



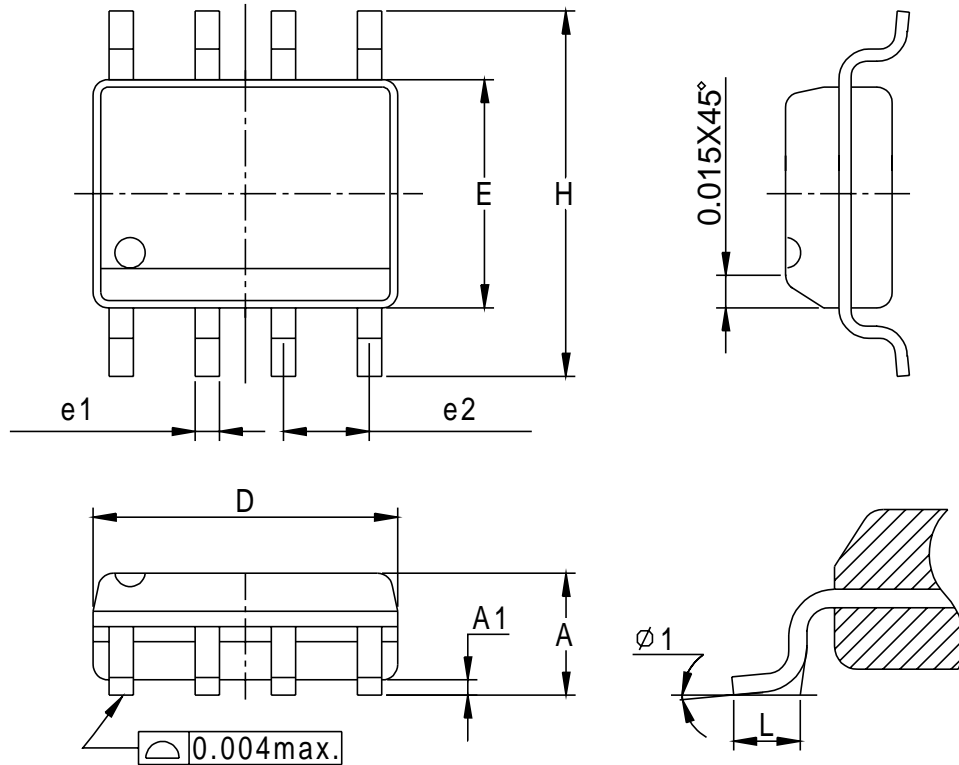
Gate Charge



Packaging Information

SOP-8 pin (Reference JEDEC Registration MS-012)

www.DataSheet4U.com

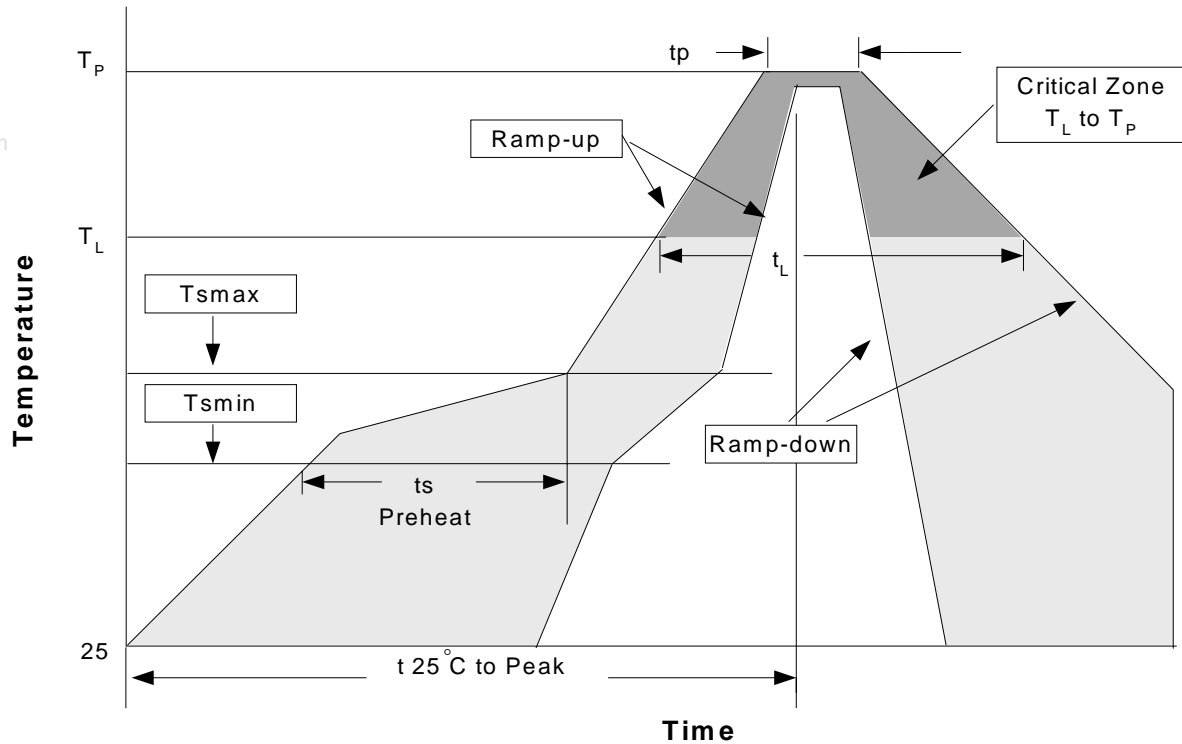


| Dim | Millimeters | | Inches | |
|-----|-------------|------|---------|-------|
| | Min. | Max. | Min. | Max. |
| A | 1.35 | 1.75 | 0.053 | 0.069 |
| A1 | 0.10 | 0.25 | 0.004 | 0.010 |
| D | 4.80 | 5.00 | 0.189 | 0.197 |
| E | 3.80 | 4.00 | 0.150 | 0.157 |
| H | 5.80 | 6.20 | 0.228 | 0.244 |
| L | 0.40 | 1.27 | 0.016 | 0.050 |
| e1 | 0.33 | 0.51 | 0.013 | 0.020 |
| e2 | 1.27BSC | | 0.50BSC | |
| φ 1 | 8° | | 8° | |

Physical Specifications

| | |
|--------------------|--|
| Terminal Material | Solder-Plated Copper (Solder Material : 90/10 or 63/37 SnPb), 100%Sn |
| Lead Solderability | Meets EIA Specification RSI86-91, ANSI/J-STD-002 Category 3. |

Reflow Condition (IR/Convection or VPR Reflow)



Classification Reflow Profiles

| Profile Feature | Sn-Pb Eutectic Assembly | | Pb-Free Assembly | |
|---|-------------------------|---------------|------------------|---------------|
| | Large Body | Small Body | Large Body | Small Body |
| Average ramp-up rate (T_L to T_P) | 3°C/second max. | | 3°C/second max. | |
| Preheat | | | | |
| - Temperature Min (T_{smin}) | 100°C | | 150°C | |
| - Temperature Mix (T_{smax}) | 150°C | | 200°C | |
| - Time (min to max)(t_s) | 60-120 seconds | | 60-180 seconds | |
| T_{smax} to T_L | | | 3°C/second max | |
| - Ramp-up Rate | | | | |
| T_{smax} to T_L | | | | |
| - Temperature(T_L) | 183°C | | 217°C | |
| - Time (t_L) | 60-150 seconds | | 60-150 seconds | |
| Peak Temperature(T_p) | 225 +0/-5°C | 240 +0/-5°C | 245 +0/-5°C | 250 +0/-5°C |
| Time within 5°C of actual Peak Temperature(t_p) | 10-30 seconds | 10-30 seconds | 10-30 seconds | 20-40 seconds |
| Ramp-down Rate | 6°C/second max. | | 6°C/second max. | |
| Time 25°C to Peak Temperature | 6 minutes max. | | 8 minutes max. | |

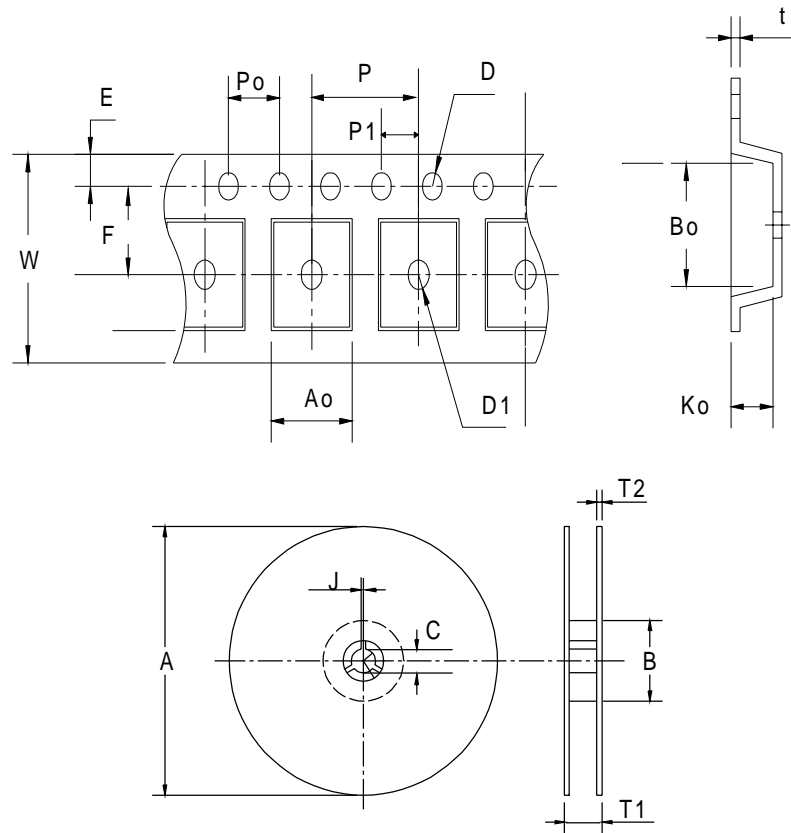
Note: All temperatures refer to topside of the package. Measured on the body surface.

Reliability Test Program

| Test item | Method | Description |
|---------------|---------------------|---------------------------|
| SOLDERABILITY | MIL-STD-883D-2003 | 245°C, 5 SEC |
| HOLT | MIL-STD 883D-1005.7 | 1000 Hrs Bias @ 125°C |
| PCT | JESD-22-B, A102 | 168 Hrs, 100% RH, 121°C |
| TST | MIL-STD 883D-1011.9 | -65°C ~ 150°C, 200 Cycles |

Carrier Tape & Reel Dimensions

www.DataSheet4U.com



| Application | A | B | C | J | T1 | T2 | W | P | E |
|-------------|-----------|----------|--------------|-----------|-----------|-----------|----------------|----------|-----------|
| SOP-8 | 330±1 | 62 ± 1.5 | 12.75 + 0.15 | 2 + 0.5 | 12.4 +0.2 | 2± 0.2 | 12 + 0.3 - 0.1 | 8± 0.1 | 1.75± 0.1 |
| | F | D | D1 | Po | P1 | Ao | Bo | Ko | t |
| | 5.5 ± 0.1 | 1.55±0.1 | 1.55+ 0.25 | 4.0 ± 0.1 | 2.0 ± 0.1 | 6.4 ± 0.1 | 5.2± 0.1 | 2.1± 0.1 | 0.3±0.013 |

(mm)

Cover Tape Dimensions

| Application | Carrier Width | Cover Tape Width | Devices Per Reel |
|-------------|---------------|------------------|------------------|
| SOP- 8 | 12 | 9.3 | 2500 |

Customer Service

Anpec Electronics Corp.

Head Office :

5F, No. 2 Li-Hsin Road, SBIP,

Hsin-Chu, Taiwan, R.O.C.

Tel : 886-3-5642000

Fax : 886-3-5642050

Taipei Branch :

7F, No. 137, Lane 235, Pac Chiao Rd.,

Hsin Tien City, Taipei Hsien, Taiwan, R. O. C.

Tel : 886-2-89191368

Fax : 886-2-89191369