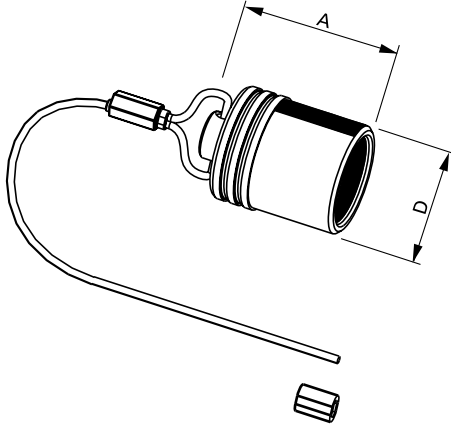


Sealing Caps for Plugs

These metal caps are fitted with an O-ring seal.

They protect and seal the mating face of the plugs.



Material - Nickel or Black chromium plated brass (ISO CuZn39Pb3)

Series	Part Number		O-ring material	A	D	Stainless-Steel Cable			Crimp Ferrule
	1 Natural mat Plated	2 Black chrome Plated				ø	Length	Covering material	
102	102.1948	102.1952	FPM	14.5	10	1	100	FEP	300.922
103	103.2274	103.2277	FPM	21	14	1	100	FEP	300.922
1031	1031.825	1031.827	FPM	20	15	1	100	FEP	300.922
104	104.715	104.717	FPM	21	15.6	1	150	FEP	300.922
105	105.3002	105.3006	FPM	29	20	1	150	FEP	300.922
106	106.813	106.815	FPM	37	33	1	250	FEP	300.922
107	107.2312	107.2314	FPM	42	38	1	300	FEP	300.922

FPM - VITON®

FEP - TEFLON®

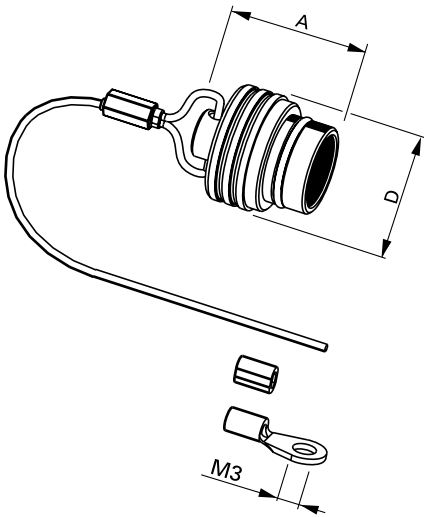
J

To attach the ferrule or the crimp lug to the stainless-steel cable, use a crimp tool, a vice or a pair of pliers with parallel jaws

Sealing Caps for Receptacles

These metal caps are fitted with an O-ring seal.

They protect and seal the mating face of the receptacles.



Material - Nickel or Black chromium plated brass (ISO CuZn39Pb3)

Series	Part Number		O-ring material	A	D	Stainless-Steel Cable			Crimp Ferrule	Crimp Lug
	1 Natural mat Plated	2 Black chrome Plated				ø	Length	Covering material		
102	102.1947	102.1951	NBR	15	11	1	100	FEP	300.922	300.299
103	103.2273	103.2276	NBR	15	13	1	100	FEP	300.922	300.299
1031	1031.824	1031.826	NBR	17	15	1	100	FEP	300.922	300.299
104	104.714	104.716	NBR	17.5	16	1	150	FEP	300.922	300.299
105	105.3001	105.3005	NBR	21	19	1	150	FEP	300.922	300.299
106	106.812	106.814	NBR	24	31	1	250	FEP	300.922	300.299
107	107.2311	107.2313	NBR	26	36	1	300	FEP	300.922	300.299

NBR - Nitrile®

FEP - TEFLON®

- 1 Assembled with natural plastic covered stainless steel cable.
- 2 Assembled with black plastic covered stainless steel cable.