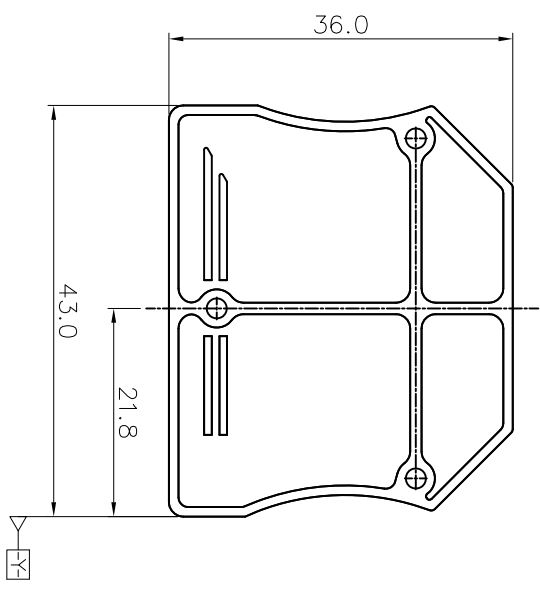
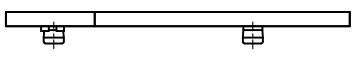
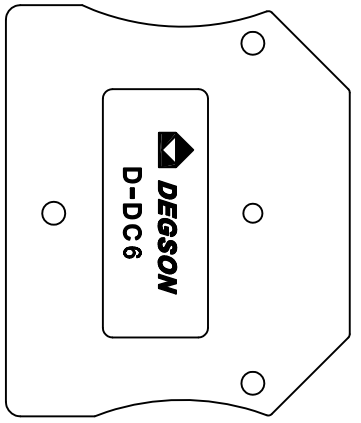
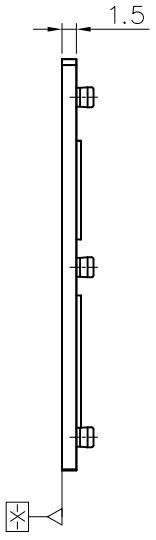


REVISION RECORD			
REV	EON	DESCRIPTION	DATE



NOTES:

1. Dimension shall be interpreted per ASME Y14.5-2009
2. Operating temperature: -40°C~+105°C
3. Undimensioned tolerances:

Pitch Range in mm	Nominal Dimension	Range in mm	Tolerance
Over 6	Over 30	Over 60	Over 100
TO 10	TO 60	TO 100	TO 150
TO 24	TO 30	TO 60	TO 100
TO 30	TO 60	TO 100	TO 150
±0.15	±0.20	±0.30	±0.50
±0.30	±0.50	±0.70	±1.00
±1.00	±1.30	±2.00	±2.00

4. RoHS Compliance

DETACHED LISTS			
PART NO.:	DEGSON 宁波高松电子有限公司	REV	DO
NAME:	NINGBO DEGSON ELECTRICAL CO., LTD	SHEET	1/1
APPD.:	D-DC6-01P-1Y-00A(H)	SCALE	1:1
DRFT.:	TITLE: CUSTOMER DRAWING	DO NOT SCALE DRAWING	
CHKD.:	DRAWING NO.:	MM (INCH)	
THIRD ANGLE PROJECTION			