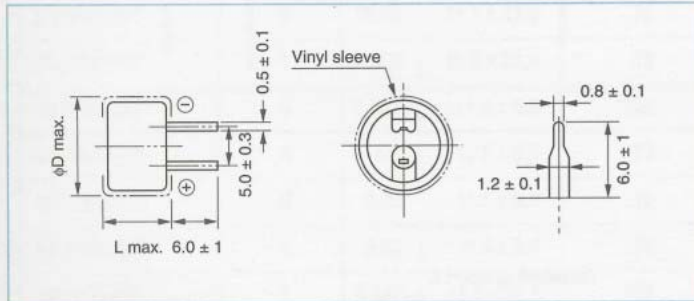


DB (DYNACAP) Electric Double Layer Capacitors

Series DB 5.5 V Standard

- Small-sized, large capacity, excellent voltage holding.
- For all ratings, uniform 5 mm pitch of terminal spacing.
- Wider temperature range (-25° to +70°C) than battery makes periodic change unnecessary.
- φ13.5 x 7.5 (mm) size can encase up to 0.33 F.
- APPLICATION: Backing up of CMOS, Micro Computer, RAM, VCR, tuner, TV, phone, etc.

Outline Drawing



Unit: mm

Photo



Specifications

No.	Item	Performance														
1	Temperature range (°C)	-25 to +70														
2	Capacitance tolerance (%)	-20 to +80														
3	Internal resistance	<table border="1"> <thead> <tr> <th>Capacitance (F)</th> <th>0.047</th> <th>0.1</th> <th>0.22</th> <th>0.33</th> <th>0.47</th> <th>1.0</th> </tr> </thead> <tbody> <tr> <td>Internal resistance (Ω)</td> <td>120</td> <td>75</td> <td>75</td> <td>75</td> <td>30</td> <td>30</td> </tr> </tbody> </table>	Capacitance (F)	0.047	0.1	0.22	0.33	0.47	1.0	Internal resistance (Ω)	120	75	75	75	30	30
Capacitance (F)	0.047	0.1	0.22	0.33	0.47	1.0										
Internal resistance (Ω)	120	75	75	75	30	30										
4	Stability at low & high temperature	<table border="1"> <tbody> <tr> <td>Change in capacitance</td> <td>Within ±30% of value at 20°C</td> </tr> <tr> <td>Internal resistance</td> <td>Less than five times of the value at 20°C</td> </tr> </tbody> </table>	Change in capacitance	Within ±30% of value at 20°C	Internal resistance	Less than five times of the value at 20°C										
Change in capacitance	Within ±30% of value at 20°C															
Internal resistance	Less than five times of the value at 20°C															
5	Endurance (70°C)	<table border="1"> <tbody> <tr> <td>Test time</td> <td>1000 hrs</td> </tr> <tr> <td>Change in capacitance</td> <td>Within ±30% of the initial measured value</td> </tr> <tr> <td>Internal resistance</td> <td>Whithin four times the initial specified value</td> </tr> </tbody> </table>	Test time	1000 hrs	Change in capacitance	Within ±30% of the initial measured value	Internal resistance	Whithin four times the initial specified value								
Test time	1000 hrs															
Change in capacitance	Within ±30% of the initial measured value															
Internal resistance	Whithin four times the initial specified value															
6	Max. storage temp. (70°C)	Test time 1000 hrs. Same as endurance in No. 5														

Standard Ratings

ELNA PART NO. / WV (V)	CAP. (F)	SIZE (φ D x L) (mm)	INTERNAL RESIST. (Ω)
5.5 V			
DB-5R5D473	0.047	13.5 x 7.5	120
DB-5R5D104	0.1	13.5 x 7.5	75

ELNA PART NO. / WV (V)	CAP. (F)	SIZE (φ D x L) (mm)	INTERNAL RESIST. (Ω)
DB-5R5D224	0.22	13.5 x 7.5	75
DB-5R5D334	0.33	13.5 x 7.5	75
DB-5R5D474	0.47	21.5 x 8.0	30
DB-5R5D105	1.0	21.5 x 8.0	30