



*Improvement in the competitiveness
with the highest quality*



SEARCH

SEARCH

NEW SWITCHES

Main > Products > Tact Switches > SMD Type Switches > 1187

TACT SWITCHES

SMD TYPE SWITCHES | TACT SWITCHES

NEW ITEM

BULK TYPE SWITCHES

RADIAL TYPE SWITCHES

▶ SMD TYPE SWITCHES

PUSH SWITCHES

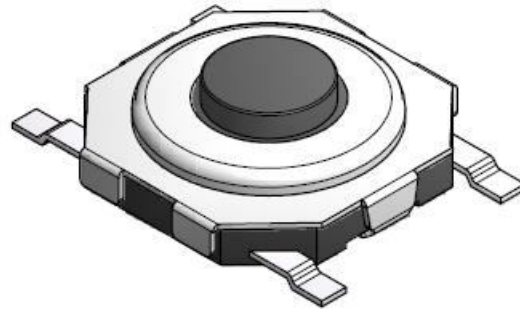
SLIDE SWITCHES

HOOK SWITCHES

DETECTOR SWITCHES

ETC SWITCHES

IT PART



[← BACK](#)

[1187]

Typical Specifications

1. Rating : DC12V 50mA
2. Travel : 0.2±0.1mm
3. Contact Resistance : 100mΩMax.
4. Bounce : 10m SEC MAX.
5. Operating Force
 - * DJT1187-0 : 110±30gf [1,000,000Cycle]
 - * DJT1187-1 : 130±30gf [300,000Cycle]
 - * DJT1187-2 : 160±50gf [300,000Cycle]
 - * DJT1187-3 : 250±50gf [100,000Cycle]

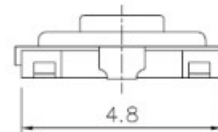
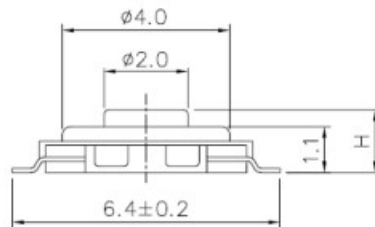
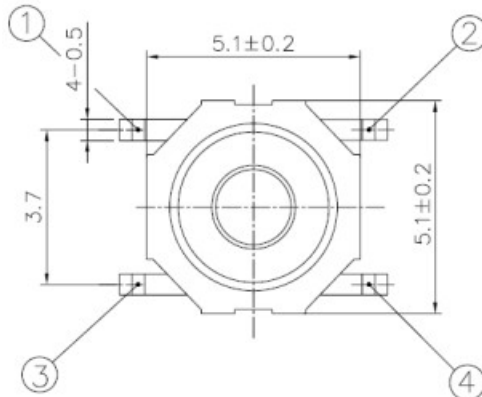
▶ Stem : Metal, Plastic

Model	STEM, H(mm)
DJT1187	plastic(With Dust Cover), 1.65
DJT1187G	Metal(With Dust cover), 1.5
DJT1187A	Plastic(With Dust cover), 4.3

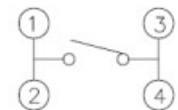
OUTLINE DRAWING

[확대도면보기](#)

[REEL도면보기](#)



CIRCUIT DIAGRAM



P.C.B LAND PATTERN

