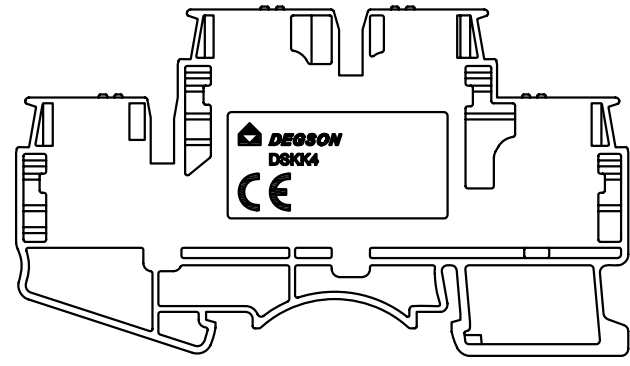
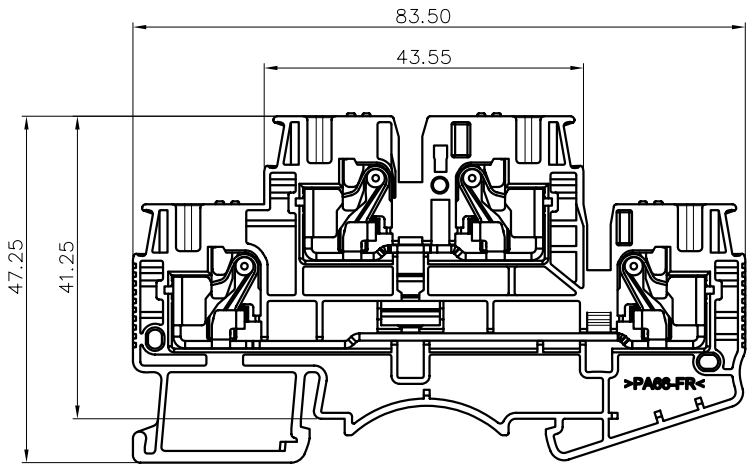
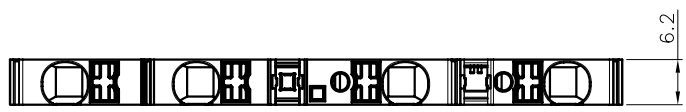


| REVISION RECORD |     |             |      |      |
|-----------------|-----|-------------|------|------|
| REV             | ECN | DESCRIPTION | DRFT | DATE |



NOTES1:

- UL Standard
- 1. Rated voltage/current : 300V / 28A
- 2. Withstanding voltage : AC1600V/1Min.
- 3. Wire range : 24~10AWG

IEC Standard

|                          |       |
|--------------------------|-------|
| 1. Pollution degree      | 3     |
| Overvoltage category     | III   |
| Rate impulse voltage(KV) | 6.0KV |
| Rate voltage(V)          | 500V  |
| Rate current(A)          | 32A   |

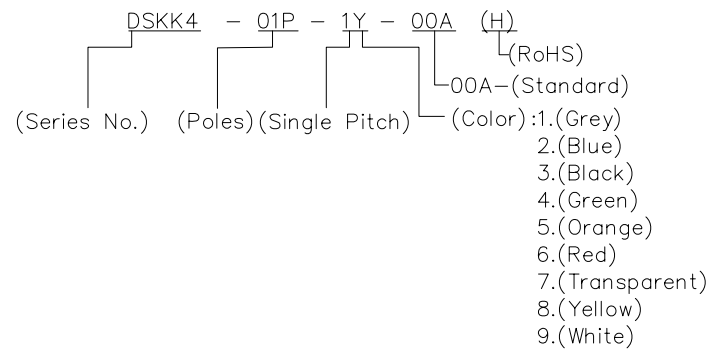
- 2. Wire range : Wire range : 0.2~4mm<sup>2</sup> and 6 mm<sup>2</sup>(sol)

NOTES2:

- 1. Dimension shall be interpreted per ASME Y14.5-2009
- 2. Pitch : 6.2mm, Poles : N=01P
- 3. Stripping length : 11~13mm
- 4. Operating temperature: -40°C~+105°C
- 5. Undimensioned tolerances:

| Pitch range in mm |       | Nominal dimension range in mm |       |       |       |        |       |     |
|-------------------|-------|-------------------------------|-------|-------|-------|--------|-------|-----|
| TO                | Over  | Over                          | Over  | Over  | Over  | 0.1/10 |       |     |
| 6                 | 10    | 10                            | 24    | 30    | 60    | 100    | 150   |     |
| ±0.15             | ±0.20 | ±0.30                         | ±0.30 | ±0.50 | ±0.70 | ±1.00  | ±1.30 | ±2' |

- 6. RoHS Compliance



|  |                               |                                  |                  |                                |                      |
|--|-------------------------------|----------------------------------|------------------|--------------------------------|----------------------|
| DETACHED LISTS                           | PART NO.:                     | /                                |                  |                                |                      |
|  | APPD:                         | /                                |                  |                                |                      |
|  | CHKD:                         | /                                |                  |                                |                      |
|  | DRFT:                         | /                                |                  |                                |                      |
|  | <p>THIRD ANGLE PROJECTION</p> |                                  | <p>MM (INCH)</p> |                                | DO NOT SCALE DRAWING |
| <p>NINGBO DEGSON ELECTRICAL CO., LTD</p> |                               | <p>NAME: DSKK4-01P-1Y-00A(H)</p> |                  | <p>TITLE: CUSTOMER DRAWING</p> |                      |
|  |                               | REV                              | DO               |                                |                      |
|  |                               | SHEET                            | 1/1              |                                |                      |
|  |                               | SCALE                            | 1:1              |                                |                      |