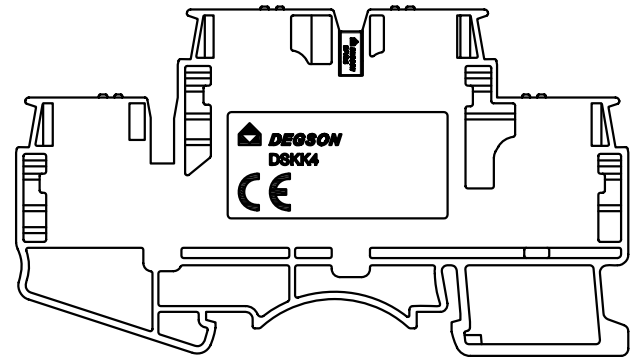
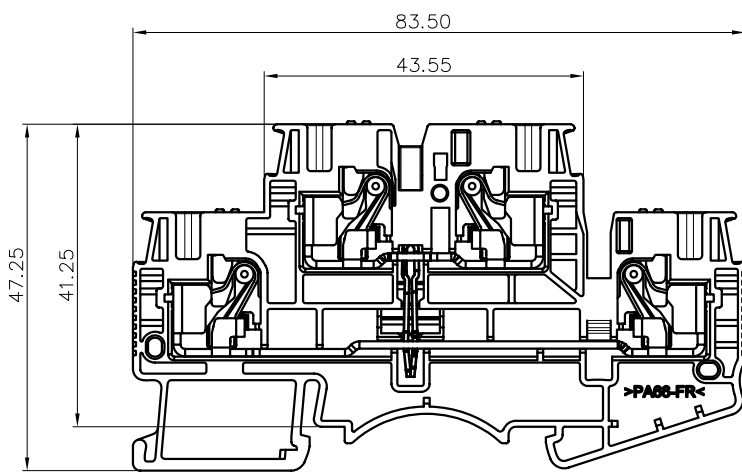


REVISION RECORD				
REV	ECN	DESCRIPTION	DRFT	DATE



NOTES1:

- UL Standard
- 1.Rated voltage/current : 300V / 28A
- 2.Withstanding voltage : AC1600V/1Min.
- 3.Wire range : 24~10AWG

IEC Standard

1. Pollution degree	3
Overvoltage category	III
Rate impulse voltage(KV)	6.0KV
Rate voltage(V)	500V
Rate current(A)	32A

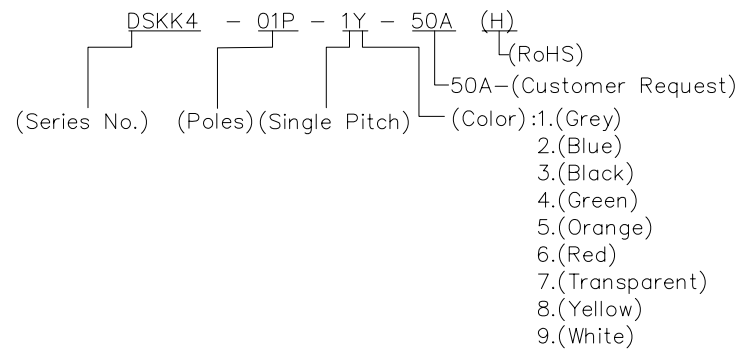
2.Wire range : Wire range : 0.2~4mm²and 6 mm²(sol)

NOTES2:

- 1.Dimension shall be interpreted per ASME Y14.5-2009
- 2.Pitch : 6.2mm,Poles : N=01P
- 3.Stripping length : 11~13mm
- 4.Operating temperature: -40°C~+105°C
- 5.Undimensioned tolerances:

Pitch range in mm		Nominal dimension range in mm							
To	Over	To	Over	To	Over	To	Over		
6	10	30	60	100	150			0.1/10	
±0.15	±0.20	±0.30	±0.50	±0.70	±1.00	±1.30		±2'	

6.RoHS Compliance



DETACHED LISTS	PART NO.:	/		
	APPD:	/		
	CHKD:	/		
	DRFT:	/		
	THIRD ANGLE PROJECTION		NAME: NINGBO DEGSON ELECTRICAL CO., LTD	
		TITLE: CUSTOMER DRAWING		
		DRAWING NO.:		REV
		MM (INCH)		DO
		DO NOT SCALE DRAWING		SHEET 1/1
		SCALE		1:1